

CONFIDENTIAL

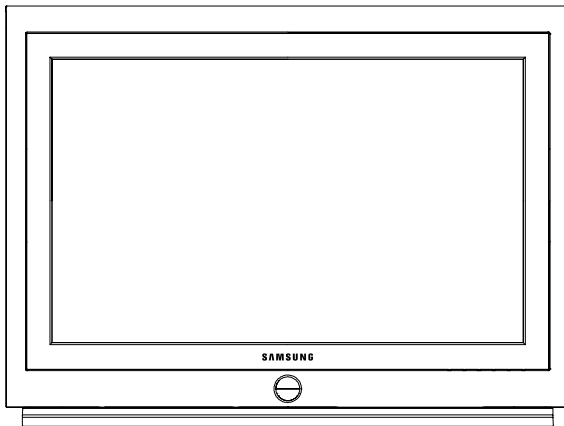
**SAMSUNG**

## LCD-TV

Chassis	Model
AL29NO	LTM295W
AL40NO	LTM405W

# *SERVICE* Manual

LCD-TV



CONTENTS

1. Precautions
2. Product Specifications
3. Disassembly & Reassembly
4. Alignment & Adjustments
5. Troubleshooting
6. Exploded View & Parts List
7. Electrical Parts List
8. Block Diagram
9. Wiring Diagram
10. Schematic Diagrams
11. Panel Description

# 1 Precautions

Follow these safety, servicing and ESD precautions to prevent damage and to protect against potential hazards such as electrical shock.

## 1-1 Safety Precautions

### 1-1-1 Warnings

1. For continued safety, do not attempt to modify the circuit board.
2. Disconnect the AC power and DC Power Jack before servicing.

### 1-1-2 Servicing the LCD Monitor

1. When servicing the LCD Monitor disconnect the AC line cord from the AC outlet.
2. It is essential that service technicians have an accurate voltage meter available at all times. Check the calibration of this meter periodically.

### 1-1-3 Fire and Shock Hazard

Before returning the monitor to the user, perform the following safety checks:

1. Inspect each lead dress to make certain that the leads are not pinched or that hardware is not lodged between the chassis and other metal parts in the monitor.
2. Inspect all protective devices such as nonmetallic control knobs, insulating materials, cabinet backs, adjustment and compartment covers or shields, isolation resistor-capacitor networks, mechanical insulators, etc.
3. Leakage Current Hot Check (Figure 1-1):

**WARNING:**

Do not use an isolation transformer during this test. Use a leakage current tester or a metering system that complies with American National Standards Institute (*ANSI C101.1, Leakage Current for Appliances*), and Underwriters Laboratories (*UL Publication UL1410, 59.7*).

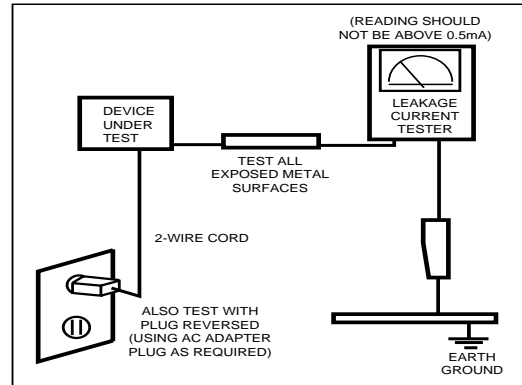


Figure 1-1. Leakage Current Test Circuit

4. With the unit completely reassembled, plug the AC line cord directly into a 120V AC outlet. With the unit's AC switch first in the ON position and then OFF, measure the current between a known earth ground (metal water pipe, conduit, etc.) and all exposed metal parts, including: metal cabinets, screwheads and control shafts. The current measured should not exceed 0.5 milliamp. Reverse the power-plug prongs in the AC outlet and repeat the test.

### 1-1-4 Product Safety Notices

Some electrical and mechanical parts have special safety-related characteristics which are often not evident from visual inspection. The protection they give may not be obtained by replacing them with components rated for higher voltage, wattage, etc. Parts that have special safety characteristics are identified by ⚠ on schematics and parts lists. A substitute replacement that does not have the same safety characteristics as the recommended replacement part might create shock, fire and / or other hazards. Product safety is under review continuously and new instructions are issued whenever appropriate.

## 1-2 Servicing Precautions

---

**WARNING:** An electrolytic capacitor installed with the wrong polarity might explode.

**Caution:** Before servicing units covered by this service manual, read and follow the Safety Precautions section of this manual.

**Note:** If unforeseen circumstances create conflict between the following servicing precautions and any of the safety precautions, always follow the safety precautions.

### 1-2-1 General Servicing Precautions

1. Always unplug the unit's AC power cord from the AC power source and disconnect the DC Power Jack before attempting to:
  - (a) remove or reinstall any component or assembly,
  - (b) disconnect PCB plugs or connectors, (c) connect a test component in parallel with an electrolytic capacitor.
2. Some components are raised above the printed circuit board for safety. An insulation tube or tape is sometimes used. The internal wiring is sometimes clamped to prevent contact with thermally hot components. Reinstall all such elements to their original position.
3. After servicing, always check that the screws, components and wiring have been correctly reinstalled. Make sure that the area around the serviced part has not been damaged.
4. Check the insulation between the blades of the AC plug and accessible conductive parts (examples: metal panels, input terminals and earphone jacks).
5. Insulation Checking Procedure: Disconnect the power cord from the AC source and turn the power switch ON. Connect an insulation resistance meter (500 V) to the blades of the AC plug.  
The insulation resistance between each blade of the AC plug and accessible conductive parts (see above) should be greater than 1 megohm.
6. Always connect a test instrument's ground lead to the instrument chassis ground before connecting the positive lead; always remove the instrument's ground lead last.

## 1-3 Electrostatically Sensitive Devices (ESD) Precautions

---

Some semiconductor (solid state) devices can be easily damaged by static electricity. Such components are commonly called Electrostatically Sensitive Devices (ESD). Examples of typical ESD are integrated circuits and some field-effect transistors. The following techniques will reduce the incidence of component damage caused by static electricity.

1. Immediately before handling any semiconductor components or assemblies, drain the electrostatic charge from your body by touching a known earth ground. Alternatively, wear a discharging wrist-strap device. To avoid a shock hazard, be sure to remove the wrist strap before applying power to the monitor.
2. After removing an ESD-equipped assembly, place it on a conductive surface such as aluminum foil to prevent accumulation of an electrostatic charge.
3. Do not use freon-propelled chemicals. These can generate electrical charges sufficient to damage ESDs.
4. Use only a grounded-tip soldering iron to solder or desolder ESDs.
5. Use only an anti-static solder removal device. Some solder removal devices not classified as "anti-static" can generate electrical charges sufficient to damage ESDs.
6. Do not remove a replacement ESD from its protective package until you are ready to install it. Most replacement ESDs are packaged with leads that are electrically shorted together by conductive foam, aluminum foil or other conductive materials.
7. Immediately before removing the protective material from the leads of a replacement ESD, touch the protective material to the chassis or circuit assembly into which the device will be installed.  
**Caution:** Be sure no power is applied to the chassis or circuit and observe all other safety precautions.
8. Minimize body motions when handling unpackaged replacement ESDs. Motions such as brushing clothes together, or lifting your foot from a carpeted floor can generate enough static electricity to damage an ESD.

## 2 Product Specifications

### 2-1 Specifications

Item	Description	
	LTM295W	LTM405W
LCD Panel	TFT-LCD panel, RGB vertical stripe, normally black transmissive, (29 -Inch) viewable, 0.4935 mm pixel pitch	TFT-LCD panel, RGB vertical stripe, normally black transmissive, (40-Inch) viewable, 0.6735 mm pixel pitch
Scanning Frequency	Horizontal : 30 KHz ~ 60 KHz Vertical : 56 Hz ~ 75 Hz	
Display Colors	16,777,216 Million colors	
Maximum Resolution	Horizontal : 1280 Pixels Vertical : 768 Pixels	
Input Video Signal	Analog, 0.7 Vp-p ± 5% positive at 75 Ω, internally terminated	
Input Sync Signal	Type : Seperate H/V sync, Composite H/V, Sync-on-Green Level : TTL level	
AC power voltage & Frequency	AC 90 ~ 240V 60 Hz/50 Hz ± 3 Hz, DC 28V / 8A	
Power Consumption	160W (max)	220W (max)
Dimensions Unit (W x D x H) Carton (W x D x H)	29.9 x 7.7 x 22.4 Inches (759.6 x 195.0 x 568.5 mm) 37.8 x 7.7 x 22.4 Inches (961.2 x 195.0 x 568.5 mm)	39.6 x 11.8 x 29.4 Inches (1006.0 x 300.0 x 746.5 mm) 49.1 x 11.8 x 29.4 Inches (1247.6 x 300.0 x 746.5 mm)
Weight (Net / Gross)	18.0 kg (39.682 lbs)	28.0 kg ( 61.715 lbs)
Environmental Considerations	Operating Temperature : 50°F ~ 104°F (10°C ~ 40°C) Humidity : 10 % ~ 80 % Storage Temperature : -4°F ~ 113°F (-20°C ~ 45°C) Humidity : 5 % ~ 95 %	
TV System	Color	NTSC-M
	Sound	BTSC, A2 STEREO, EIAJ
Antena Input	75Ω, Coaxial Cable	
Sound Characteristics	<ul style="list-style-type: none"> <li>• Max Internal speaker Out : Right c 10 W / Left c 10 W</li> <li>• Bass control Range : -6 ± -12dB ~ +6 ± 12dB</li> <li>• TREBLE control Range : -10 ± -12dB ~ +10 ± 12dB</li> <li>• Output frequency : RF c 80 Hz~15 KHz / A/V c 80 Hz~20 KHz</li> <li>• Line out : RF c 80 Hz~15 KHz / A/V c 80 Hz~20 KHz</li> </ul>	
<ul style="list-style-type: none"> <li>• SyncMaster LTM295W/LTM405W comply with SWEDAC (MPRII) recommendations for reduced electromagnetic fields.</li> <li>• Designs and specifications are subject to change without prior notice.</li> </ul>		

## 2-2 Pin Assignments

---

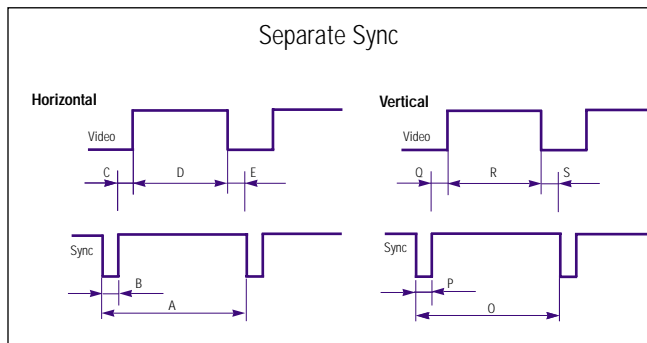
Pin No.	30 Pin Signal Cable (DVI Analog)	Pin No.	30 Pin Signal Cable (DVI Analog)
1	RX2+	16	GND
2	RX2-	17	Check . D-Sub
3	GND	18	GND
4	RX1+	19	DDC_5V
5	RX1-	20	DDC_5V
6	GND	21	GND
7	RX0+	22	V/Sync
8	RX0-	23	GND
9	GND	24	H/Sync
10	RXC+	25	GND
11	RXC-	26	Blue
12	GND	27	GND
13	DDC (Clock)	28	Green
14	DDC (Data)	29	GND
15	GND	30	Red

## 2-3 Timing Chart

This section of the service manual describes the timing that the computer industry recognizes as standard for computer-generated video signals.

Table 2-1 Timing Chart

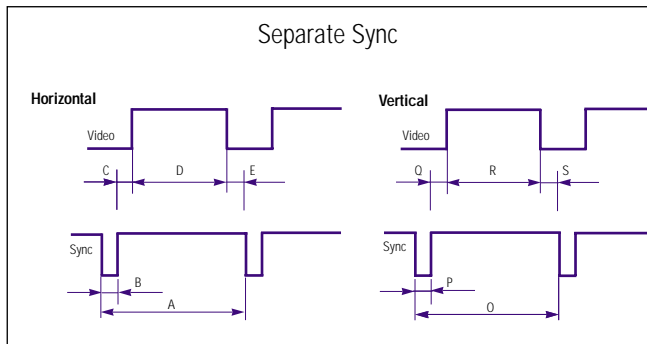
Mode Timing	DTV/ 59.94 Hz 1280 x 720	DTV/ 59.94 Hz 1920 x 1080	VGA3/60 Hz 640 x 480	VGA/72 Hz 640 x 480	VGA/75 Hz 640 x 480	VGA/85 Hz 640 x 480	MAC/60 Hz 640 x 480	MAC/66 Hz 640 x 480	SVGA/56 Hz 800 x 600	SVGA/60 Hz 800 x 600	SVGA/72 Hz 800 x 600
fH (kHz)	44.955	33.716	31.5	37.9	37.5	43.3	31.5	35.0	35.2	37.9	48.1
A μsec	1650	2200	800	832	840	832	800	864	1024	1056	1040
B μsec	40	44	96	40	64	56	96	64	72	128	120
C μsec	70	44	40	120	120	80	48	96	128	88	64
D μsec	1280	1920	640	640	640	640	640	640	800	800	800
E μsec	260	192	8	16	16	56	16	64	24	40	56
fV (Hz)	59.94	59.94	60.0	72.8	75.0	85.0	60.0	66.7	56.3	60.3	72.2
O msec	750	1125	525	520	500	509	525	525	625	628	666
P msec	5	15	2	3	3	3	2	3	2	4	6
Q msec	20	2	25	20	16	25	33	39	22	23	23
R msec	720	1080	480	480	480	480	480	480	600	600	600
S msec	5	5	2	1	1	1	10	3	1	1	37
Clock Freq. (MHz)	74.176	74.176	25.175	31.500	31.500	36.000	25.175	30.240	36.000	40.000	50.000
Polarity H.Sync	-/+	-/+	Negative	Negative	Negative	Negative	Negative	Negative	-/+	Positive	Positive
V.Sync	-/+	-/+	Negative	Negative	Negative	Negative	Negative	Negative	-/+	Positive	Positive
Remark	Separate	Separate	Separate	Separate	Separate	Separate	Separate	Separate	Separate	Separate	Separate



A : Line time total	B : Horizontal sync width	O : Frame time total	P : Vertical sync width
C : Back porch	D : Active time	Q : Back porch	R : Active time
E : Front porch		S : Front porch	

Table 2-2 Timing Chart (continued)

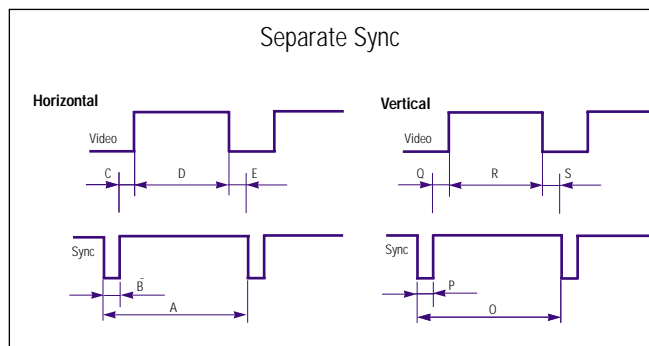
Mode Timing	SVGA/75 Hz	SVGA/85 Hz	MAC/74 Hz	XGA/60 Hz	XGA/70 Hz	XGA/75 Hz	XGA/85 Hz	MAC/60 Hz	MAC/74 Hz	VESA/75 Hz	MAC/75 Hz
	800 x 600	800 x 600	832 x 624	1024 x 768	1024 x 768	1024 x 768	1024 x 768	1024 x 768	1024 x 768	1152 x 864	1152 x 870
fH (kHz)	46.9	53.7	49.7	48.4	56.5	60.0	68.7	48.8	60.2	67.5	68.7
A $\mu$ sec	1056	1048	1152	1344	1328	1312	1376	1312	1328	1600	1456
B $\mu$ sec	80	64	64	136	136	96	96	96	96	128	128
C $\mu$ sec	160	152	224	160	144	176	208	128	176	256	144
D $\mu$ sec	800	800	832	1024	1024	1024	1024	1024	1024	1152	1152
E $\mu$ sec	16	32	32	24	24	16	48	64	32	64	32
fV (Hz)	75.0	85.1	74.6	60.0	70.1	75.0	85.0	60.0	74.9	75.0	75.1
O msec	625	631	667	806	806	800	808	813	804	900	915
P msec	3	3	3	6	6	3	3	6	3	3	3
Q msec	21	27	39	29	29	28	36	33	30	32	39
R msec	600	600	624	768	768	768	768	768	768	864	870
S msec	1	1	1	3	3	1	1	6	3	1	3
Clock Freq. (MHz)	49.500	56.250	57.284	65.000	75.000	78.750	94.500	64.000	80.000	108.000	100.000
Polarity H.Sync	Positive	Positive	Negative	Negative	Negative	Positive	Positive	Negative	Negative	Positive	Negative
V.Sync	Positive	Positive	Negative	Negative	Negative	Positive	Positive	Negative	Negative	Positive	Negative
Remark	Separate	Separate	Separate	Separate	Separate	Separate	Separate	Separate	Separate	Separate	Separate



A : Line time total	B : Horizontal sync width	O : Frame time total	P : Vertical sync width
C : Back porch	D : Active time	Q : Back porch	R : Active time
E : Front porch		S : Front porch	

Table 2-3 Timing Chart (continued)

Mode Timing	SUN/66 Hz 1152 x 900	SUN/76 Hz 1152 x 900	SXGA/60 Hz 1280 x 1024	NCD/70 Hz 1280 x 1024	HP/72 Hz 1280 x 1024	SXGA/75 Hz 1280 x 1024	SUN/76 Hz 1280 x 1024
fH (kHz)	61.8	71.7	64.0	74.4	78.1	80.0	81.1
A $\mu$ sec	1528	1472	1688	1680	1728	1688	1664
B $\mu$ sec	128	96	112	160	192	144	64
C $\mu$ sec	208	208	248	208	192	248	288
D $\mu$ sec	1152	1152	1280	1280	1280	1280	1280
E $\mu$ sec	40	16	48	32	64	16	32
fV (Hz)	66.0	76.0	60.0	70.0	72.0	75.0	76.1
O msec	937	943	1066	1063	1085	1066	1066
P msec	4	8	3	3	3	3	8
Q msec	31	33	38	36	55	38	32
R msec	900	900	1024	1024	1024	1024	1024
S msec	2	2	1	0	3	1	2
Clock Frequency (MHz)	94.500	105.561	108.000	125.000	135.000	135.000	135.000
Polarity H.Sync	-/+	Negative	Positive	Negative	Negative	Positive	Negative
V.Sync	-/+	Negative	Positive	Negative	Negative	Positive	Negative
Remark	Separate	Separate	Separate	Separate	Separate	Separate	Separate

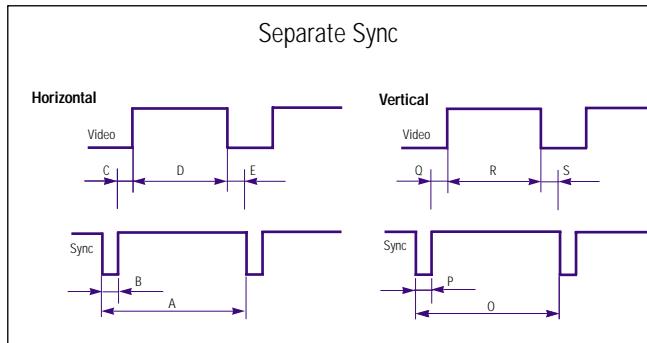


A : Line time total	B : Horizontal sync width	O : Frame time total	P : Vertical sync width
C : Back porch	D : Active time	Q : Back porch	R : Active time
E : Front porch		S : Front porch	



Table 2-4 Timing Chart (continued)

Mode Timing	UXGA/60Hz 1600 x 1200	UXGA/65Hz 1600 x 1200	UXGA/70Hz 1600 x 1200	NCD/64Hz 1600 x 1200	SUN/66 Hz 1600 x 1200	WUXGA2/60 Hz 1920 x 1200
fH (kHz)	75	81.25	87.5	80.038	89.286	74.52
A $\mu$ sec	2160	2160	2160	2124	2240	2592
B $\mu$ sec	192	192	192	160	256	208
C $\mu$ sec	304	304	304	308	368	336
D $\mu$ sec	1600	1600	1600	1600	1600	1920
E $\mu$ sec	64	64	64	56	16	128
fV (Hz)	60	65	70	64.443	66.931	60
O msec	1250	1250	1250	1242	1334	1242
P msec	3	3	3	3	10	3
Q msec	46	46	46	38	44	38
R msec	1200	1200	1200	1200	1200	1200
S msec	1	1	1	1	80	1
Clock Frequency (MHz)	162.000	175.500	189.000	170.000	200.000	193.156
Polarity H.Sync	-/+	-/+	-/+	-/+	-/+	Negative
V.Sync	-/+	-/+	-/+	-/+	-/+	Positive
Remark	Separate	Separate	Separate	Separate	Separate	Separate

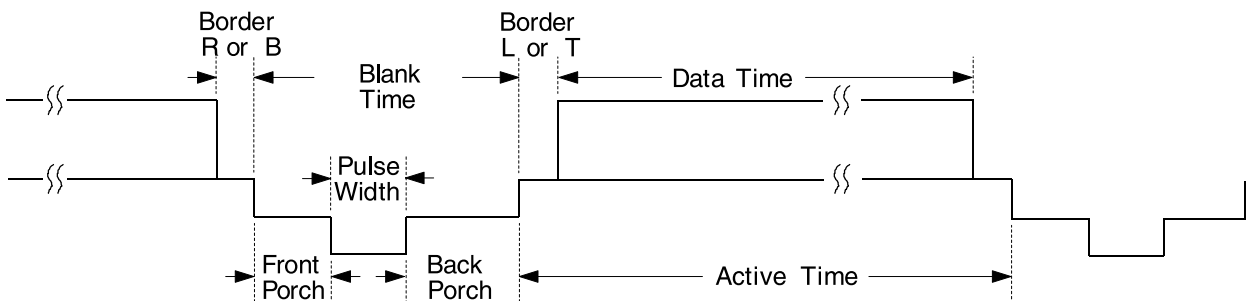


A : Line time total	B : Horizontal sync width	O : Frame time total	P : Vertical sync width
C : Back porch	D : Active time	Q : Back porch	R : Active time
E : Front porch		S : Front porch	

## 2-4 DTV Timing Chart

Table 2-5 DTV Timing chart

Timing No.	1	2	3
Originator	274M	296M	293M
Mode Name	1080i/60iHz	720p/60Hz	480p/60Hz
Resolution (HxV)	1920x1080	1280x720	720x483
<b>HORIZONTAL</b>			
Frequency	33.750kHz	45.000kHz	31.469kHz
Total time	29.630μs	22.222μs	31.778μs
Border (L / R)	0.000μs	0.000μs	0.000μs
Data time	25.859μs	17.239μs	26.667μs
Front porch	0.593μs	0.943μs	0.593μs
Sync. width	0.593μs	0.539μs	2.333μs
Back porch	2.586μs	3.502μs	2.185μs
Sync. polarity	-	-	-
<b>VERTICAL</b>			
Frequency	30Hz	60Hz	60Hz
Total time	33.333ms	16.667ms	16.683ms
Border (T / B)	0.000ms	0.000ms	0.000ms
Data time	-	16.000ms	15.349ms
Front porch	0.059ms	0.111ms	0.191ms
Sync. width	0.148ms	0.111ms	0.191ms
Back porch	0.444ms	0.444ms	0.953ms
Sync. polarity	-	-	-
Dot Clock	75MHz	75MHz	27MHz



**Memo**

## 3 Disassembly and Reassembly

This section of the service manual describes the disassembly and reassembly procedures for the LTM295W/LTM405W monitor.

**WARNING:** This monitor contains electrostatically sensitive devices. Use caution when handling these components.

### 3-1 Disassembly

**Cautions:** 1. Disconnect the monitor from the power source before disassembly.  
2. Follow these directions carefully; never use metal instruments to pry apart the cabinet.



1. Remove 4 screws of the cover rear.



2. Remove the stand from LCD-TV.



3. Remove 4 screws of the cover rear.



4. Pull the cover rear.

### 3-2 Reassembly

---

Reassembly procedures are in the reverse order of Disassembly procedures.

---

## 4 Alignments and Adjustments

---

This section of the service manual explains how to use the DDC JIG to adjust the black, red, green, and blue levels of the FPD when you replace the AD Board, and how to update the microprocessor when you change the Panel or Lamp(s).

### 4-1 General Alignment Instruction

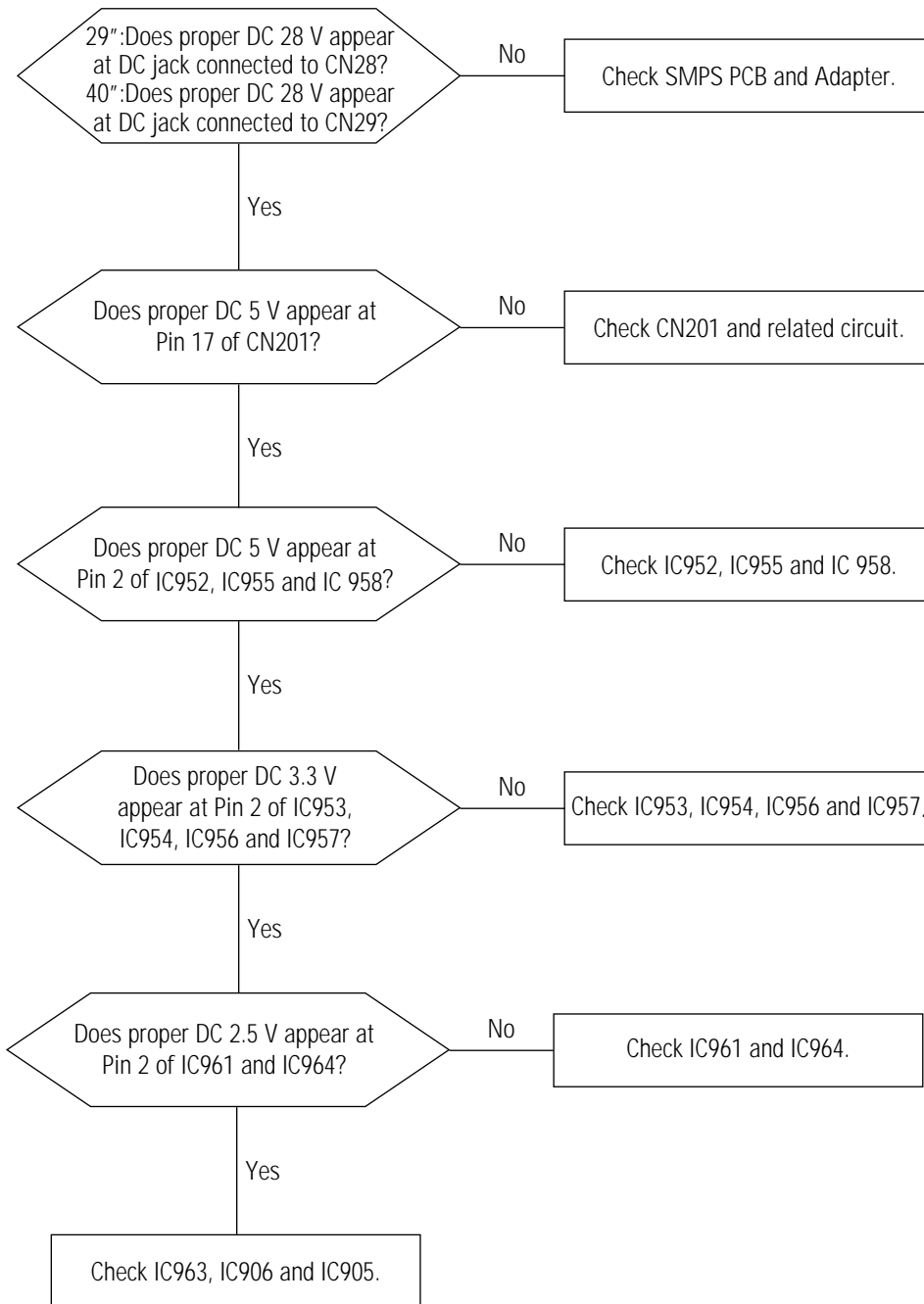
---

1. Usually, a color TV-VCR needs only slight touch-up adjustment upon installation.  
Check the basic characteristics such as height, horizontal and vertical sync.
2. Use the specified test equipment or its equivalent.
3. Correct impedance matching is essential.
4. Avoid overload. Excessive signal from a sweep generator might overload the front-end of the TV. When inserting signal markers, do not allow the marker generator to distort test result.
5. Connect the TV only to an DC power source with voltage and frequency as specified on the backcover nameplate.
6. Do not attempt to connect or disconnect any wire while the TV is turned on. Make sure that the power cord is disconnected before replacing any parts.
7. To protect against shock hazard, use an isolation transform.

**Memo**

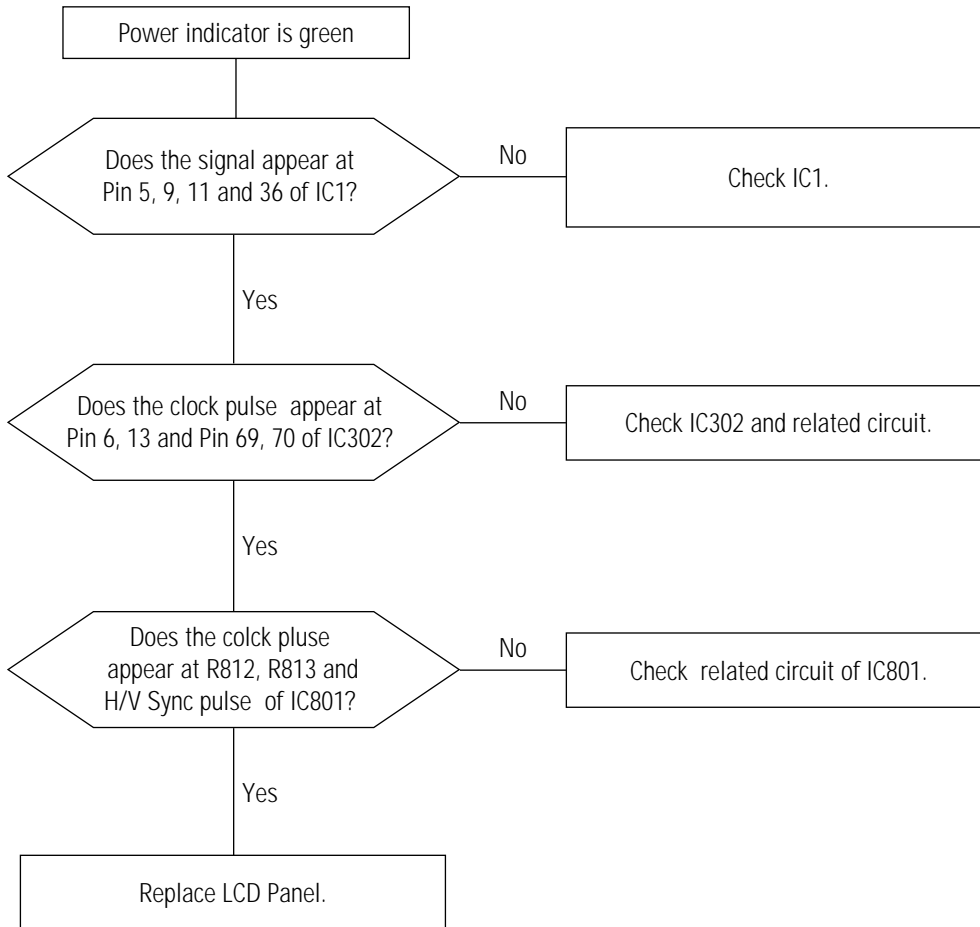
# 5 Troubleshooting

## 5-1 No Power

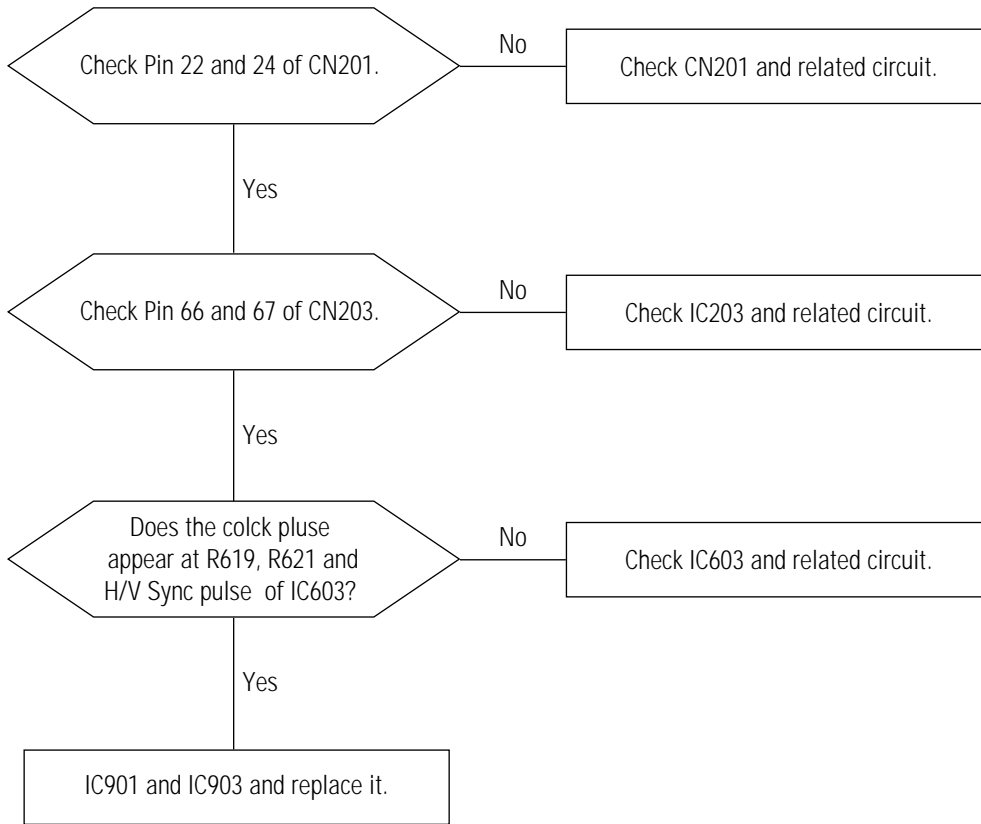




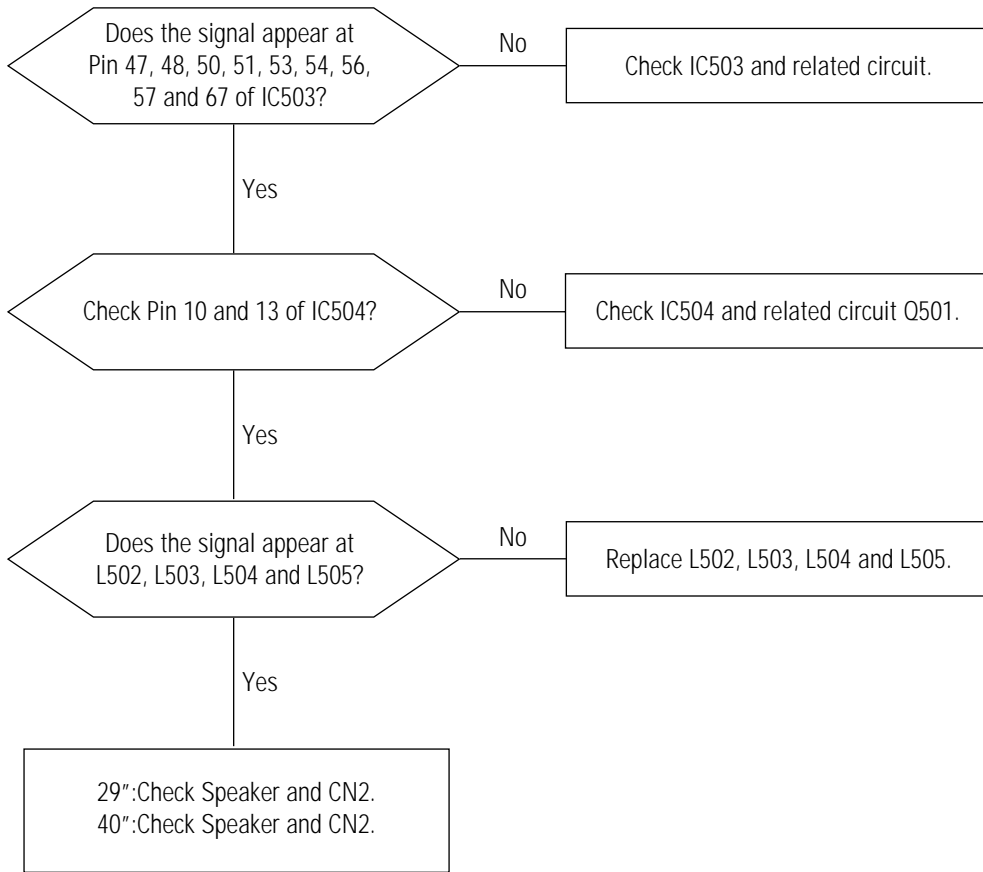
### 5-2 No Video (CVBS, S-Video)



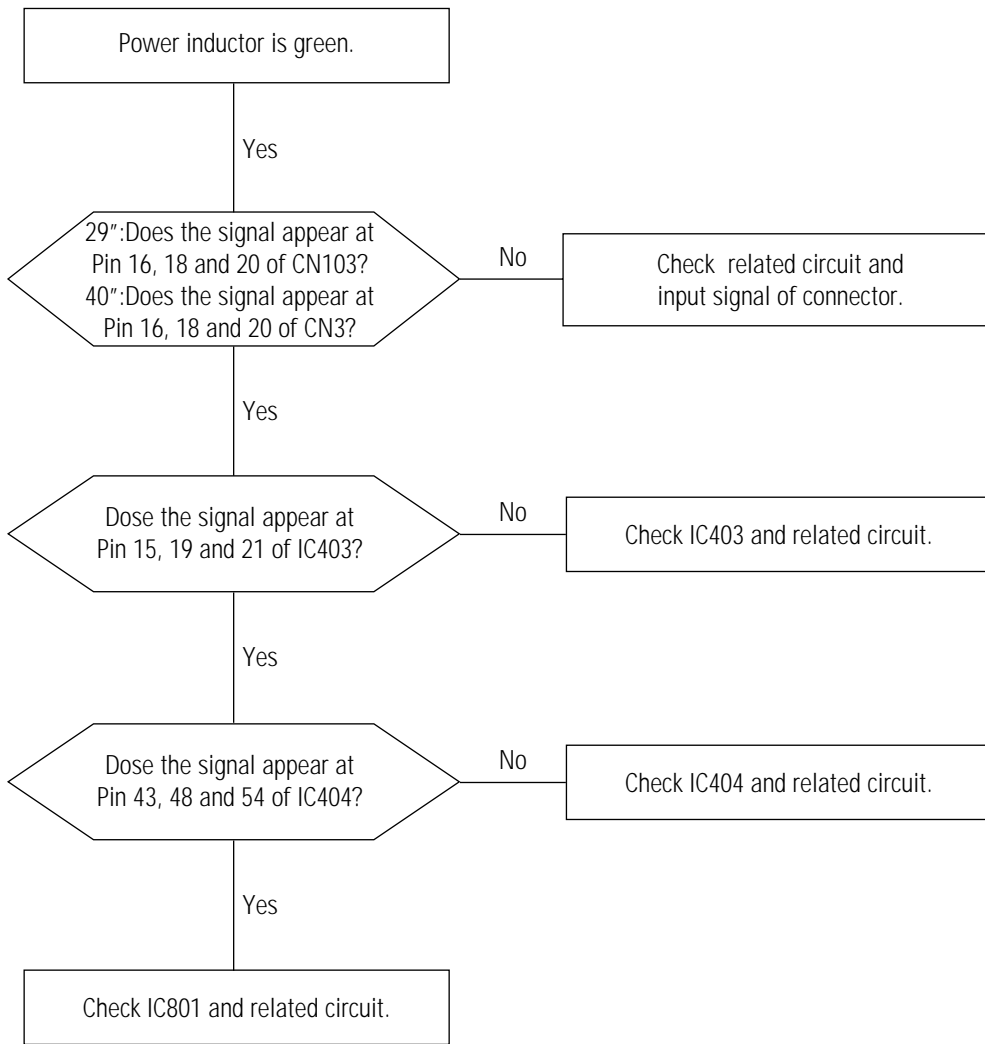
### 5-3 No Picture (PC Signal [Analog])



### 5-4 No Sound (RF, PC, Video, Component)



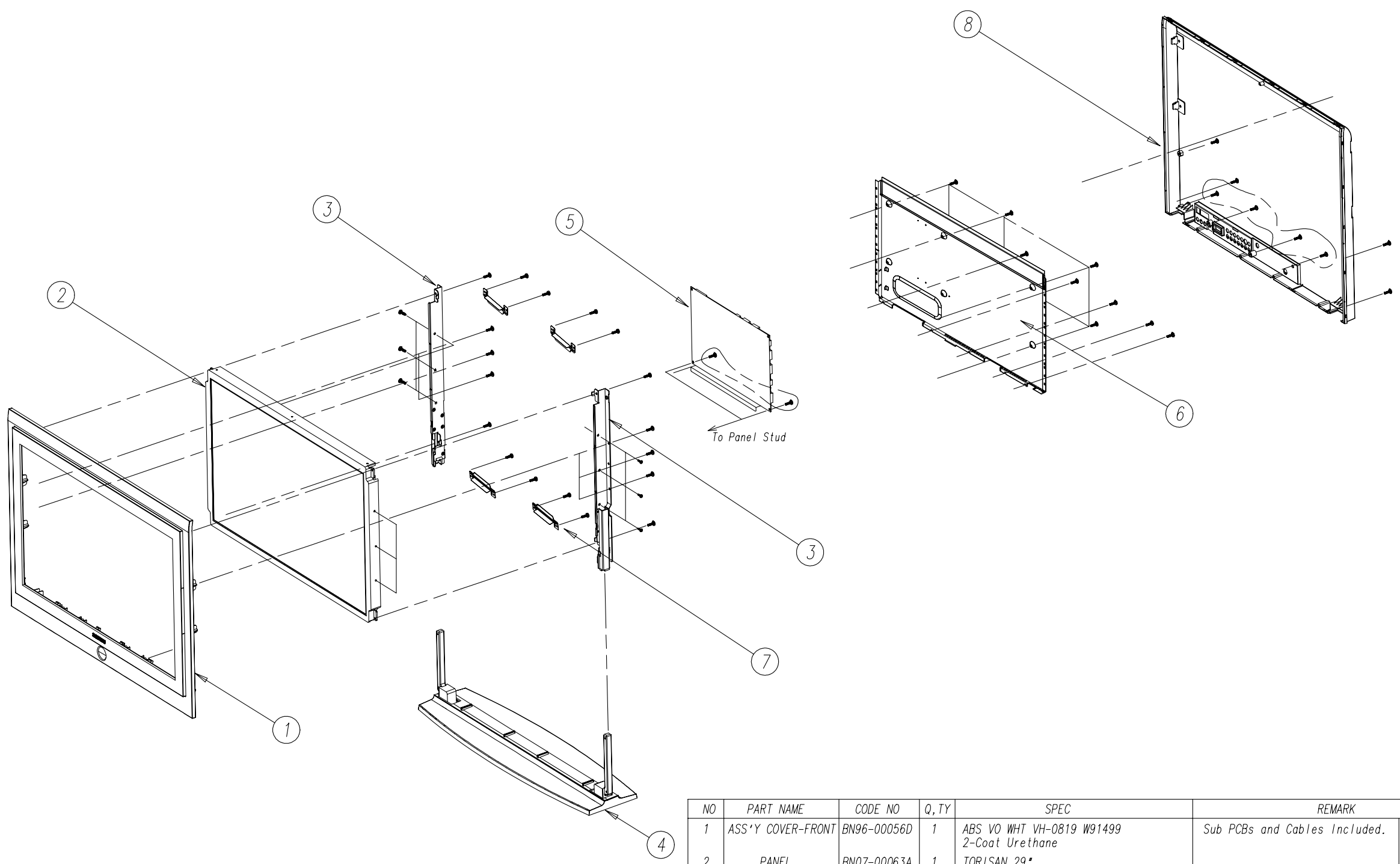
### 5-5 No Picture (DTV)



**Memo**

6 Exploded View and Parts List

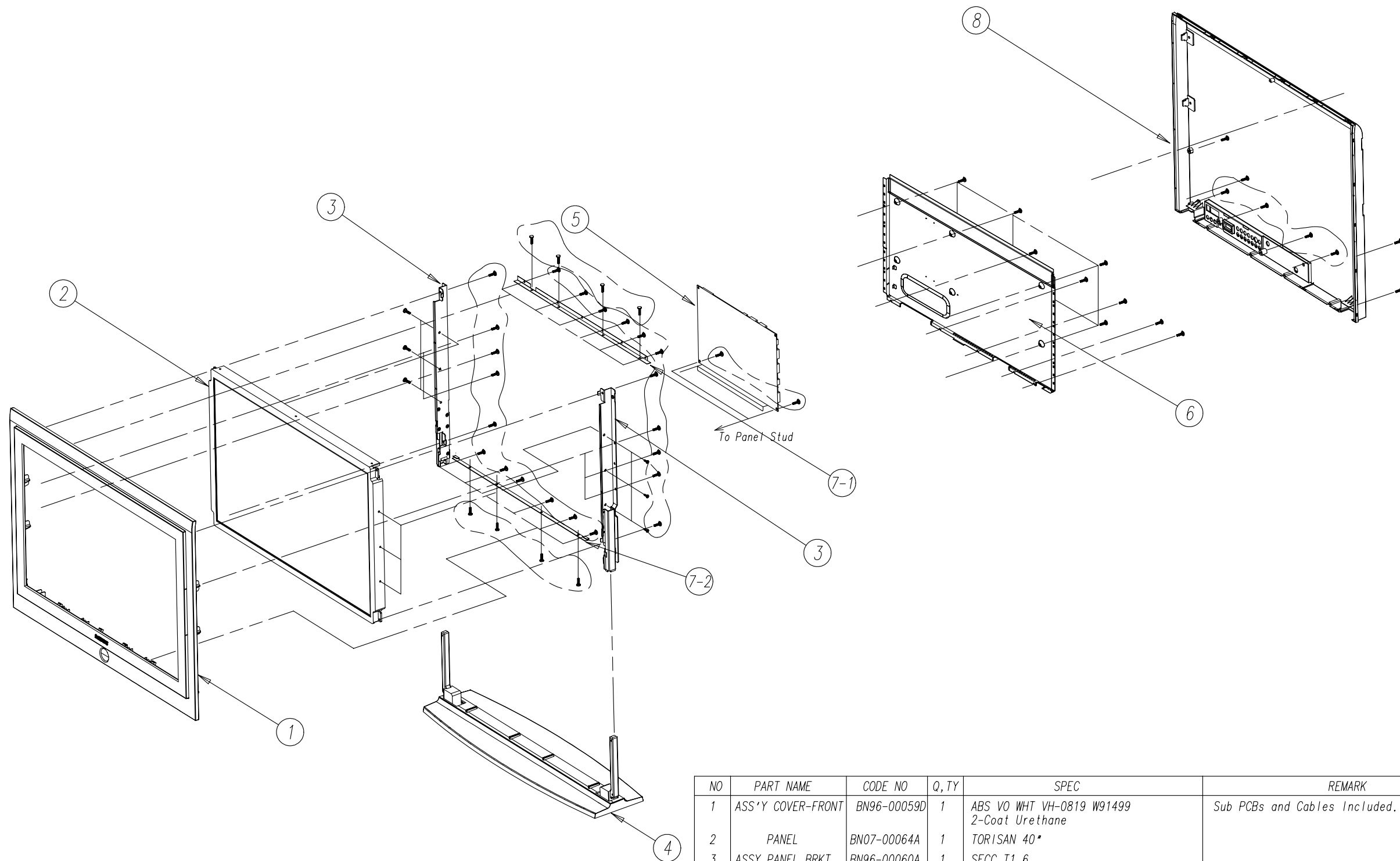
6-1 LTM295W



\* Refer to the drawing for the detail sub parts of the assembled part.

NO	PART NAME	CODE NO	Q, TY	SPEC	REMARK	
1	ASS'Y COVER-FRONT	BN96-00056D	1	ABS VO WHT VH-0819 W91499 2-Coat Urethane	Sub PCBs and Cables Included.	SA
2	PANEL	BN07-00063A	1	TORISAN 29"		SA
3	ASSY PANEL BRKT	BN96-00060A	1	SECC T1.6		SNA
4	ASSY STAND	BN96-00054C	1	ABS HB BK12 SPRAY : DGM1188		SA
5	MAIN PCB ASSY	-	1			SA
6	ASSY SHIELD PCB	BN63-00408A	1	SECC T0.5		SNA
7	BRKT PANEL	BN70-00192A	4	SPTF T0.5		SNA
8	REAR COVER	BN63-00232D	1	ABS VO IV16		SNA

6-2 LTM405W



\* Refer to the drawing for the detail sub parts of the assembled part.

NO	PART NAME	CODE NO	Q, TY	SPEC	REMARK	
1	ASS'Y COVER-FRONT	BN96-00059D	1	ABS V0 WHT VH-0819 W91499 2-Coat Urethane	Sub PCBs and Cables Included.	SA
2	PANEL	BN07-00064A	1	TORISAN 40"		SA
3	ASSY PANEL BRKT	BN96-00060A	1	SECC T1.6		SNA
4	ASSY STAND		1	ABS HB BK12 SPRAY : DGM1188		SA
5	MAIN PCB ASSY	-	1			SA
6	ASSY SHIELD PCB	BN96-00093A	1	SECC T0.5		SNA
7-1	BRKT PANEL TOP	BN61-00111A	1	SPTT T0.5		SNA
7-2	BRKT PANEL BOTTOM	BN61-00112A	1	SPTT T0.5		SNA
8	REAR COVER	BN63-00244A	1	ABS V0 IV16		SNA

Item No	Design LOC	Spec	SERVICE
LTM295WX/XAA			
RE-LTM295WX/XAA	-	1	TORISAN,WX-71N31
BN90-00281A	-	ASSY STAND	AL29U0,U.S.A
6003-001310	C/R+STAND	SCREW-TAPTITE	BH,+ ,B,M4,L16,ZPC(BLK),SWRCH18A
BN96-00054C	STD	ASSY STAND P	APOLLO29,ABS VO GR81,DG-703P
BN90-00446A	-	ASSY COVER FRONT	AL29U0,U.S.A
6003-000009	P/BRKT+C/F	SCREW-TAPTITE	BH,+ ,B,M4,L16,ZPC(YEL),SWRCH18
BN64-00101C	C/F	BADGE-BRAND	AL29N0,AL,T1.5,11.5,65,DG-703P,SAMSUNG
BN96-00056D	C/F	ASSY COVER P-FRONT	AL29U0,ABS VO, FOR USA
6003-001188	C/F	SCREW-TAPTITE	BH,+ ,B,M4,L10,YEL,SWRCH18A
BN59-00290A	C/F	BOARD-FUNCTION ASS'Y	AL29N0,CT5000-0600,FUNCTION ASS'Y
BN63-00230A	C/F	COVER-FRONT	APOLLO29,ABS,VO,SILVER,SPRAY
BN64-00061A	C/F	KNOB-RING	APOLLO29,ABS,HB,CLEAR
BN64-00062A	C/F	KNOB-FUNCTION	APOLLO29,ABS+PC,5V,SILVER
BN64-00101A	C/F	BADGE-BRAND	APOLLO,AL,T1.5,11.5,65,SVM-2012,SAMSUNG
BN67-00055A	C/F	LENS-LED	APOLLO29,ACRYL,CLEAR
BN67-00056A	C/F	LENS-MIRROR	APOLLO29,ACRYL,CLEAR,AL COATING
BN67-00070A	C/F	LENS-IR	APOLLO29,ACRYL,CLEAR
BN90-00448A	-	ASSY COVER REAR	AL29U0,U.S.A
6003-001003	C/F+C/R	SCREW-TAPTITE	BH,+ ,B,M4,L12,ZPC(BLK),SWRCH18
BN63-00232D	C/R	COVER-REAR	AL29U0,ABS+PC,USA
BN91-00388A	-	ASSY LCD	AL29N0
BN07-00063A	CIS	LCD	TM290WX-71N31,RS24NS,6BIT FRC,684.0*426.5*45.0,16.7M,40,0.4935*0.4935,0 40,5.0,T
BN91-00518A	-	ASSY MISC	AL29/40U0,U.S.A
BN44-00067C	CIS	ADAPTOR	PSCV22101B, AMERICA,APPOLLO,100-240V,47-63HZ,28VDC,8ADC,224W,AMERICA, UL AREA
BN91-00552A	-	ASSY CHASSIS	AL29U0,U.S.A
BN94-00403A	-	ASSY PCB MAIN	AL29U0,U.S.A
0202-001044	CIS01	SOLDER-WIRE.	S63S-W3.0,S63S,D3,63Sn/37Pb,-
0202-001172	CIS03	SOLDER-WIRE FLUX	RS-107,RS60,D1.2,SN60/PB40,-
0204-001096	CIS04	ETHANOL	ISO-PROPYLENE,C2H5OH,99.8%,-
0204-001527	CIS05	FLUX	DF-201TVS,MIX,0.820,FLUX 13%, 14KG
1001-001037	IC1	IC-RF/VI/AUDIO S/W	TA8851CN,-,DIP,54P,600MIL,SING
2801-003224	X102	CRYSTAL-UNIT	32.768KHz,20ppm,28-AAV,12.5pF,
3711-003846	CN950	CONNECTOR-HEADER	BOX,8P,1R,2mm,ANGLE,SN
3711-004123	CN501	CONNECTOR-HEADER	BOX,15P,1R,2mm,ANGLE,SN
3711-004261	CN2	CONNECTOR-HEADER	BOX,12P,1R,2MM,ANGLE,SN
6001-000677	CIS06	SCREW-MACHINE	RH,+ ,M3,L6,ZPC(YEL),SM20C,-
BN27-00012A	L901	COIL CHOKE	5UH,APPOLO,5UH,10%,0.010HM MAX,10A,PEI3210S,1T,40X70X25MM,BK,-10CTO+85C
BN73-00025A	CIS07	RUBBER CUSHION	AL29N0,CR,10*15.60,T4,BLACK,3M #9448
BN96-00093A	CIS08	ASSY MISC P-SHIELD/D-SUB	AL29N0,SPT E TO.5
BN97-00164P	CIS09	ASSY MICOM	AL29U0,U.S.A
1102-001108	IC105	IC-EPROM	27C020,256Kx8Bit,PLCC,32P,495MIL,70nS,5V,10%,PLASTIC,0to+70C,100uA,CMOS,TR
BN82-00075U	CIS	A/S MICOM	AL29U0,U.S.A
BN97-00174A	-	ASSY SMD	PD22E0,EUROPE



0202-001162	C1S02	SOLDER-CREAM	RMA-20-21L,S63,-,SN63/PB36.6/AGO.4,FLUX9.5%	SNA
0401-001056	D1	DIODE-SWITCHING	MMBD4148SE,75V,200MA,SOT-23,TP	
0401-001056	D2	DIODE-SWITCHING	MMBD4148SE,75V,200MA,SOT-23,TP	
0401-001056	D3	DIODE-SWITCHING	MMBD4148SE,75V,200MA,SOT-23,TP	
0401-001056	D401	DIODE-SWITCHING	MMBD4148SE,75V,200MA,SOT-23,TP	
0401-001056	D402	DIODE-SWITCHING	MMBD4148SE,75V,200MA,SOT-23,TP	
0401-001056	D403	DIODE-SWITCHING	MMBD4148SE,75V,200MA,SOT-23,TP	
0401-001056	D404	DIODE-SWITCHING	MMBD4148SE,75V,200MA,SOT-23,TP	
0401-001056	D405	DIODE-SWITCHING	MMBD4148SE,75V,200MA,SOT-23,TP	
0401-001056	D406	DIODE-SWITCHING	MMBD4148SE,75V,200MA,SOT-23,TP	
0401-001056	D501	DIODE-SWITCHING	MMBD4148SE,75V,200MA,SOT-23,TP	
0401-001056	D502	DIODE-SWITCHING	MMBD4148SE,75V,200MA,SOT-23,TP	
0401-001056	D503	DIODE-SWITCHING	MMBD4148SE,75V,200MA,SOT-23,TP	
0401-001056	D504	DIODE-SWITCHING	MMBD4148SE,75V,200MA,SOT-23,TP	
0401-001056	D505	DIODE-SWITCHING	MMBD4148SE,75V,200MA,SOT-23,TP	
0401-001056	D506	DIODE-SWITCHING	MMBD4148SE,75V,200MA,SOT-23,TP	
0401-001056	D507	DIODE-SWITCHING	MMBD4148SE,75V,200MA,SOT-23,TP	
0401-001056	D508	DIODE-SWITCHING	MMBD4148SE,75V,200MA,SOT-23,TP	
0401-001056	D6	DIODE-SWITCHING	MMBD4148SE,75V,200MA,SOT-23,TP	
0401-001056	D7	DIODE-SWITCHING	MMBD4148SE,75V,200MA,SOT-23,TP	
0401-001056	D8	DIODE-SWITCHING	MMBD4148SE,75V,200MA,SOT-23,TP	
0401-001056	D9	DIODE-SWITCHING	MMBD4148SE,75V,200MA,SOT-23,TP	
0401-001116	D201	DIODE-SWITCHING	BAV99DW,75V,150MA,SOT-363,TP	
0401-001116	D202	DIODE-SWITCHING	BAV99DW,75V,150MA,SOT-363,TP	
0401-001116	D203	DIODE-SWITCHING	BAV99DW,75V,150MA,SOT-363,TP	
0401-001116	D204	DIODE-SWITCHING	BAV99DW,75V,150MA,SOT-363,TP	
0401-001116	D205	DIODE-SWITCHING	BAV99DW,75V,150MA,SOT-363,TP	
0401-001116	D206	DIODE-SWITCHING	BAV99DW,75V,150MA,SOT-363,TP	
0401-001116	D207	DIODE-SWITCHING	BAV99DW,75V,150MA,SOT-363,TP	
0401-001116	D208	DIODE-SWITCHING	BAV99DW,75V,150MA,SOT-363,TP	
0402-000553	ZD901	DIODE-RECTIFIER	SS24,40V,2.0A,DO-214AA	
0402-000553	ZD950	DIODE-RECTIFIER	SS24,40V,2.0A,DO-214AA	
0402-000553	ZD951	DIODE-RECTIFIER	SS24,40V,2.0A,DO-214AA	
0402-000553	ZD952	DIODE-RECTIFIER	SS24,40V,2.0A,DO-214AA	
0402-000553	ZD953	DIODE-RECTIFIER	SS24,40V,2.0A,DO-214AA	
0402-000553	ZD954	DIODE-RECTIFIER	SS24,40V,2.0A,DO-214AA	
0402-000553	ZD955	DIODE-RECTIFIER	SS24,40V,2.0A,DO-214AA	
0403-000579	ZD1	DIODE-ZENER	BZX84C5V1,5.1V,5%,200mW,SOT-23	
0403-000579	ZD2	DIODE-ZENER	BZX84C5V1,5.1V,5%,200mW,SOT-23	
0403-000579	ZD201	DIODE-ZENER	BZX84C5V1,5.1V,5%,200mW,SOT-23	
0403-000579	ZD202	DIODE-ZENER	BZX84C5V1,5.1V,5%,200mW,SOT-23	
0403-000579	ZD203	DIODE-ZENER	BZX84C5V1,5.1V,5%,200mW,SOT-23	
0403-000579	ZD204	DIODE-ZENER	BZX84C5V1,5.1V,5%,200mW,SOT-23	
0403-000579	ZD205	DIODE-ZENER	BZX84C5V1,5.1V,5%,200mW,SOT-23	
0403-000579	ZD206	DIODE-ZENER	BZX84C5V1,5.1V,5%,200mW,SOT-23	
0403-000579	ZD207	DIODE-ZENER	BZX84C5V1,5.1V,5%,200mW,SOT-23	
0403-000579	ZD208	DIODE-ZENER	BZX84C5V1,5.1V,5%,200mW,SOT-23	

0403-000579	ZD209	DIODE-ZENER	BZX84C5V1, 5.1V, 5%, 200mW, SOT-23
0403-000579	ZD210	DIODE-ZENER	BZX84C5V1, 5.1V, 5%, 200mW, SOT-23
0403-000579	ZD501	DIODE-ZENER	BZX84C5V1, 5.1V, 5%, 200mW, SOT-23
0403-000579	ZD505	DIODE-ZENER	BZX84C5V1, 5.1V, 5%, 200mW, SOT-23
0403-001052	ZD502	DIODE-ZENER	RD8.2MB, 8.2V, 7.7-8.64V, 200mW, S
0403-001052	ZD503	DIODE-ZENER	RD8.2MB, 8.2V, 7.7-8.64V, 200mW, S
0403-001052	ZD504	DIODE-ZENER	RD8.2MB, 8.2V, 7.7-8.64V, 200mW, S
0403-001052	ZD506	DIODE-ZENER	RD8.2MB, 8.2V, 7.7-8.64V, 200mW, S
0403-001052	ZD507	DIODE-ZENER	RD8.2MB, 8.2V, 7.7-8.64V, 200mW, S
0404-001055	D902	DIODE-SCHOTTKY	-, 60V, 3000MA, SMC, TP
0404-001055	D903	DIODE-SCHOTTKY	-, 60V, 3000MA, SMC, TP
0404-001084	D901	DIODE-SCHOTTKY	BAT54A, 30V, 200MA, SOT-23, TP
0501-000280	Q1	TR-SMALL SIGNAL	KSA1182, PNP, 150mW, SOT-23, TP, 70
0501-000280	Q10	TR-SMALL SIGNAL	KSA1182, PNP, 150mW, SOT-23, TP, 70
0501-000280	Q11	TR-SMALL SIGNAL	KSA1182, PNP, 150mW, SOT-23, TP, 70
0501-000280	Q13	TR-SMALL SIGNAL	KSA1182, PNP, 150mW, SOT-23, TP, 70
0501-000280	Q16	TR-SMALL SIGNAL	KSA1182, PNP, 150mW, SOT-23, TP, 70
0501-000280	Q4	TR-SMALL SIGNAL	KSA1182, PNP, 150mW, SOT-23, TP, 70
0501-000280	Q5	TR-SMALL SIGNAL	KSA1182, PNP, 150mW, SOT-23, TP, 70
0501-000280	Q7	TR-SMALL SIGNAL	KSA1182, PNP, 150mW, SOT-23, TP, 70
0501-000280	Q8	TR-SMALL SIGNAL	KSA1182, PNP, 150mW, SOT-23, TP, 70
0501-002080	Q101	TR-SMALL SIGNAL	2SC2412K, NPN, 200mW, SC-59, TP, 120-270
0501-002080	Q12	TR-SMALL SIGNAL	2SC2412K, NPN, 200mW, SC-59, TP, 120-270
0501-002080	Q14	TR-SMALL SIGNAL	2SC2412K, NPN, 200mW, SC-59, TP, 120-270
0501-002080	Q15	TR-SMALL SIGNAL	2SC2412K, NPN, 200mW, SC-59, TP, 120-270
0501-002080	Q2	TR-SMALL SIGNAL	2SC2412K, NPN, 200mW, SC-59, TP, 120-270
0501-002080	Q3	TR-SMALL SIGNAL	2SC2412K, NPN, 200mW, SC-59, TP, 120-270
0501-002080	Q301	TR-SMALL SIGNAL	2SC2412K, NPN, 200mW, SC-59, TP, 120-270
0501-002080	Q501	TR-SMALL SIGNAL	2SC2412K, NPN, 200mW, SC-59, TP, 120-270
0501-002080	Q6	TR-SMALL SIGNAL	2SC2412K, NPN, 200mW, SC-59, TP, 120-270
0501-002080	Q901	TR-SMALL SIGNAL	2SC2412K, NPN, 200mW, SC-59, TP, 120-270
0501-002080	Q906	TR-SMALL SIGNAL	2SC2412K, NPN, 200mW, SC-59, TP, 120-270
0501-002080	Q950	TR-SMALL SIGNAL	2SC2412K, NPN, 200mW, SC-59, TP, 120-270
0501-002080	Q951	TR-SMALL SIGNAL	2SC2412K, NPN, 200mW, SC-59, TP, 120-270
0501-002080	Q952	TR-SMALL SIGNAL	2SC2412K, NPN, 200mW, SC-59, TP, 120-270
0501-002080	Q953	TR-SMALL SIGNAL	2SC2412K, NPN, 200mW, SC-59, TP, 120-270
0501-002080	Q954	TR-SMALL SIGNAL	2SC2412K, NPN, 200mW, SC-59, TP, 120-270
0501-002080	Q955	TR-SMALL SIGNAL	2SC2412K, NPN, 200mW, SC-59, TP, 120-270
0501-002080	Q956	TR-SMALL SIGNAL	2SC2412K, NPN, 200mW, SC-59, TP, 120-270
0505-000275	IC905	FET-SILICON	S14435DY, P, -30V, +-8.0A, 0.014ohm, 2.5W, SO-8
0505-001170	IC963	FET-SILICON	S19933ADY-T1, P, -20V, 3.4A, 0.06ohm, 2W, SO-8
0505-001662	Q904	FET-SILICON	FDB5645, N, 60V, 80A, 0.0095OHM, 125W, TO-263AB
0505-001662	Q905	FET-SILICON	FDB5645, N, 60V, 80A, 0.0095OHM, 125W, TO-263AB
0505-001663	Q902	FET-SILICON	FQB50N06L, N, 60V, 52.4, 0.021OHM, 3.75W, D-PAK
0505-001663	Q903	FET-SILICON	FQB50N06L, N, 60V, 52.4, 0.021OHM, 3.75W, D-PAK
0801-002267	IC205	IC-CMOS LOGIC	74LCX14, -, SOIC, 14P, 150MIL, -, TP, -, -, -, 3.6V, -40TO+85C, -, 5.5V, -, -, 24MA
0801-002267	IC604	IC-CMOS LOGIC	74LCX14, -, SOIC, 14P, 150MIL, -, TP, -, -, -, 3.6V, -40TO+85C, -, 5.5V, -, -, 24MA

0801-002268	IC110	IC-CMOS LOGIC	74VHC139, DECODER, SOP, 16P, 150MI	
0801-002394	IC107	IC-CMOS LOGIC	74LXC32, OR GATE, SOIC, 14P, 150MI	
0801-002394	IC112	IC-CMOS LOGIC	74LXC32, OR GATE, SOIC, 14P, 150MI	
0801-002559	IC104	IC-CMOS LOGIC	74LVX74, D FLIP-FLOP, TSSOP, 14P, 173MIL, DUAL, TP, PLASTIC, -, -, 0.36V, -40to+85C, 180mW, 2	
0801-002559	IC405	IC-CMOS LOGIC	74LVX74, D FLIP-FLOP, TSSOP, 14P, 173MIL, DUAL, TP, PLASTIC, -, -, 0.36V, -40to+85C, 180mW, 2	
0801-002574	IC106	IC-CMOS LOGIC	74LVX04, INVERTER, SOP, 14P, 150MIL, HEX, TP, PLASTIC, -, -, 0.36V, -40to+85C, 180mW, 2.4V, 20	
0801-002576	IC109	IC-CMOS LOGIC	74LVX373, LATCH, SOP, 20P, 300MIL, OCTAL, TP, PLASTIC, 3-STATE, -, 0.36V, -40to+85C, 180mW, 2	
0903-001202	IC103	IC-MICROCONTROLLER	80251G2, 8Bit, PLCC, 44P, 653MIL, 24MHZ, TR, CMOS, PLASTIC, 5V, 1.5W, 0to+70C, 1KBYTE, -, 24Bi	
0909-001037	IC111	IC-REAL TIME CLOCK	M41ST84YMQ6TR, 64BIT, SO16, 16P, 21.21X14.22MM, 400KHZ, TP, CMOS, PLASTIC, -, 1W, -40TO+85C	SNA
1001-001082	IC306	IC-VIDEO SWITCH	BA7657F, -, SOP, 24P, 300MIL, SINGL	
1001-001082	IC403	IC-VIDEO SWITCH	BA7657F, -, SOP, 24P, 300MIL, SINGL	
1001-001146	IC304	IC-ANALOG SWITCH	FST3257, BUS SWITCH & CMOS, SOP, 16P, 150MIL, QUAD, 5.5V, -40to+85C, PLASTIC, -, 15ohm, -, -	
1001-001146	IC406	IC-ANALOG SWITCH	FST3257, BUS SWITCH & CMOS, SOP, 16P, 150MIL, QUAD, 5.5V, -40to+85C, PLASTIC, -, 15ohm, -, -	
1001-001146	IC701	IC-ANALOG SWITCH	FST3257, BUS SWITCH & CMOS, SOP, 16P, 150MIL, QUAD, 5.5V, -40to+85C, PLASTIC, -, 15ohm, -, -	
1001-001190	IC702	IC-ANALOG SWITCH	FST16233MTD, BUS SWITCH, TSSOP, 56P, 240MIL, -, 5.5V, -40TO+85C, PLASTIC, -, 200HM, 8.5NS, 7	
1002-001292	IC203	IC-A/D CONVERTER	AD9883AKST-110, 8BITS, QFP, 80P, 551MIL, ±0.5LSB, TR, CMOS, PLASTIC, 3.3V, -25TO+85C, 650M	
1002-001292	IC404	IC-A/D CONVERTER	AD9883AKST-110, 8BITS, QFP, 80P, 551MIL, ±0.5LSB, TR, CMOS, PLASTIC, 3.3V, -25TO+85C, 650M	
1103-000129	IC207	IC-EEPROM	24C02, 256x8BIT, SOP, 8P, 150MIL, 1	
1103-001223	IC102	IC-EEPROM	24C16, 2048x8Bit, SOP, 8P, 150MIL, 10mS, 2.7V, -, PLASTIC, 0to+70C, 4uA, CMOS, TP	
1105-001336	IC601	IC-DRAM	4S643232, 512Kx32x4Bit, TSOP, 86P, 400MIL, 60nS, 3.3V, 10%, PLASTIC, 0to+70C, 2mA, CMOS, TP	
1105-001336	IC602	IC-DRAM	4S643232, 512Kx32x4Bit, TSOP, 86P, 400MIL, 60nS, 3.3V, 10%, PLASTIC, 0to+70C, 2mA, CMOS, TP	
1105-001336	IC704	IC-DRAM	4S643232, 512Kx32x4Bit, TSOP, 86P, 400MIL, 60nS, 3.3V, 10%, PLASTIC, 0to+70C, 2mA, CMOS, TP	
1105-001336	IC802	IC-DRAM	4S643232, 512Kx32x4Bit, TSOP, 86P, 400MIL, 60nS, 3.3V, 10%, PLASTIC, 0to+70C, 2mA, CMOS, TP	
1105-001336	IC803	IC-DRAM	4S643232, 512Kx32x4Bit, TSOP, 86P, 400MIL, 60nS, 3.3V, 10%, PLASTIC, 0to+70C, 2mA, CMOS, TP	
1201-001495	IC505	IC-AUDIO AMP	7050, SOP, 8P, 150MIL, DUAL, 26DB, PLASTIC, 6V, 0.25W, -, 40DB, -, -, 20NA, -	
1201-001681	IC504	IC-AUDIO AMP	1101, SOP, 30P, 433MIL, -, -, PLASTIC, 13.2V, -, 0to+70C, -, -, -, -, TP	
1203-001432	IC904	IC-POSITIONAL FIXED REG.	78M12, DPAK, 3P, -, PLASTIC, 11.5/1	
1203-001448	IC901	IC-SWITCH VOL. REG.	2596, TO-263, 5P, -, PLASTIC, 4.750	
1203-001448	IC951	IC-SWITCH VOL. REG.	2596, TO-263, 5P, -, PLASTIC, 4.750	
1203-001448	IC952	IC-SWITCH VOL. REG.	2596, TO-263, 5P, -, PLASTIC, 4.750	
1203-001448	IC955	IC-SWITCH VOL. REG.	2596, TO-263, 5P, -, PLASTIC, 4.750	
1203-001448	IC958	IC-SWITCH VOL. REG.	2596, TO-263, 5P, -, PLASTIC, 4.750	
1203-001465	IC950	IC-POSITIONAL ADJUST REG.	317, TO-263, 3P, -, PLASTIC, 1.2/37	
1203-001465	IC961	IC-POSITIONAL ADJUST REG.	317, TO-263, 3P, -, PLASTIC, 1.2/37	
1203-001465	IC964	IC-POSITIONAL ADJUST REG.	317, TO-263, 3P, -, PLASTIC, 1.2/37	
1203-001488	IC502	IC-POSITIONAL FIXED REG.	7805, TO-252, 3P, -, PLASTIC, 4.8/5	
1203-001559	IC101	IC-RESET	DS1834, SOIC, 8P, 150MIL, -, 1.2/5V	
1203-001815	IC959	IC-POSITIONAL FIXED REG.	78M09, TO-252, 3P, -, PLASTIC, 8.6/9.4V, 1.0W, -40TO+85C, 0.5A, -, TP	
1203-001815	IC960	IC-POSITIONAL FIXED REG.	78M09, TO-252, 3P, -, PLASTIC, 8.6/9.4V, 1.0W, -40TO+85C, 0.5A, -, TP	
1203-001816	IC501	IC-POSITIONAL FIXED REG.	78M08, TO-252, 3P, -, PLASTIC, 7.7/8.3V, 1.0W, -40TO+85C, 0.5A, -, TP	
1203-002067	IC201	IC-POSITIONAL FIXED REG.	3330, SOT-23, 6P, 65MIL, PLASTIC, 3.284/3.316V, -, -40to+125C, 200mA, -, TP	
1203-002067	IC202	IC-POSITIONAL FIXED REG.	3330, SOT-23, 6P, 65MIL, PLASTIC, 3.284/3.316V, -, -40to+125C, 200mA, -, TP	
1203-002067	IC206	IC-POSITIONAL FIXED REG.	3330, SOT-23, 6P, 65MIL, PLASTIC, 3.284/3.316V, -, -40to+125C, 200mA, -, TP	
1203-002067	IC401	IC-POSITIONAL FIXED REG.	3330, SOT-23, 6P, 65MIL, PLASTIC, 3.284/3.316V, -, -40to+125C, 200mA, -, TP	
1203-002067	IC402	IC-POSITIONAL FIXED REG.	3330, SOT-23, 6P, 65MIL, PLASTIC, 3.284/3.316V, -, -40to+125C, 200mA, -, TP	
1203-002191	IC906	IC-DC/DC CONVERTER	LTC1778, SSOP, 16P, 153MIL, PLASTIC, -, -, 125C, -, -, TP	
1203-002199	IC962	IC-POSITIONAL FIXED REG.	LM2596, TO-263, 5P, 340MIL, PALSTIC, -, -, -40TO+125C, -, -, ST	

1203-002199	IC965	IC-POS I .FIXED REG.	LM2596, TO-263, 5P, 340MIL, PALSTIC, -, -, -40TO+125C, -, -, ST
1203-002411	IC953	IC-POS I .FIXED REG.	IRU1030-33CM, TO-263, 3P, -, PLASTIC, 3.267/3.333V, -, 0TO+150C, -, -, ST
1203-002411	IC954	IC-POS I .FIXED REG.	IRU1030-33CM, TO-263, 3P, -, PLASTIC, 3.267/3.333V, -, 0TO+150C, -, -, ST
1203-002411	IC956	IC-POS I .FIXED REG.	IRU1030-33CM, TO-263, 3P, -, PLASTIC, 3.267/3.333V, -, 0TO+150C, -, -, ST
1203-002411	IC957	IC-POS I .FIXED REG.	IRU1030-33CM, TO-263, 3P, -, PLASTIC, 3.267/3.333V, -, 0TO+150C, -, -, ST
1203-002454	IC301	IC-VOLTAGE REGULATOR	FAN1117A, TO-252, 3P, 257MIL, PLASTIC, 1.764V/1.836V, -, 0TO+125C, 1A, 1.225/1.275V, TP
1204-001388	IC305	IC-DECODER	Z86129, SOP, 18P, -, PLASTIC, 6.0V,
1204-001675	IC503	IC-SOUND PROCESSOR	MSP3451G, QFP, 80P, -, PLASTIC, 9V, 1000mW, 0to+70C, TR, Multistandard Sound
1204-001935	IC2	IC-SEPARATOR	UPD64083GF, QFP, 100P, 14X20MM, PLASTIC, 3.6V, -, 0TO+70C, TP, UPD64083GF
1204-001973	IC302	IC-DECODER	VSP9437B, MQFP, 80P, 14X14MM, PLASTIC, 3.47V, 1.6W, 0TO+70C, TR, VSP9437B
1204-002019	IC703	IC-VIDEO PROCESS	MDIN-100, QFP, 256P, 28X28MM, PLASTIC, 3.3V, -, 0TO+70C, TR, -
1205-002028	IC603	IC-LCD CONTROLLER	JAGASM, BGA, 388P, 208MIL, PALATIC, 3.45V, 2.5W, -40TO+125C, TR, DIGITAL DISPLAY PRO.
1205-002028	IC801	IC-LCD CONTROLLER	JAGASM, BGA, 388P, 208MIL, PALATIC, 3.45V, 2.5W, -40TO+125C, TR, DIGITAL DISPLAY PRO.
1205-002183	IC204	IC-RECEIVER	SI1161BCT100, TQFP, 100P, 14X14MM, PLASTIC, 3.6V, -, 0TO+70C, TR, PANELLINK
1301-001543	IC303	IC-CPLD	EPM3032A, TQFP, 44P, -, 10NS, 3.3V, 10%, -, 0TO+70C, PLASTIC, 34, 34, 2, 125MHZ, 3.725V, -, -, 10
2007-000052	R939	R-CHIP	10Kohm, 1%, 1/16W, DA, TP, 1608
2007-000070	R1	R-CHIP	0ohm, 5%, 1/16W, DA, TP, 1608
2007-000070	R104	R-CHIP	0ohm, 5%, 1/16W, DA, TP, 1608
2007-000070	R113	R-CHIP	0ohm, 5%, 1/16W, DA, TP, 1608
2007-000070	R116	R-CHIP	0ohm, 5%, 1/16W, DA, TP, 1608
2007-000070	R119	R-CHIP	0ohm, 5%, 1/16W, DA, TP, 1608
2007-000070	R120	R-CHIP	0ohm, 5%, 1/16W, DA, TP, 1608
2007-000070	R2	R-CHIP	0ohm, 5%, 1/16W, DA, TP, 1608
2007-000070	R217	R-CHIP	0ohm, 5%, 1/16W, DA, TP, 1608
2007-000070	R218	R-CHIP	0ohm, 5%, 1/16W, DA, TP, 1608
2007-000070	R219	R-CHIP	0ohm, 5%, 1/16W, DA, TP, 1608
2007-000070	R241	R-CHIP	0ohm, 5%, 1/16W, DA, TP, 1608
2007-000070	R243	R-CHIP	0ohm, 5%, 1/16W, DA, TP, 1608
2007-000070	R244	R-CHIP	0ohm, 5%, 1/16W, DA, TP, 1608
2007-000070	R245	R-CHIP	0ohm, 5%, 1/16W, DA, TP, 1608
2007-000070	R254	R-CHIP	0ohm, 5%, 1/16W, DA, TP, 1608
2007-000070	R299	R-CHIP	0ohm, 5%, 1/16W, DA, TP, 1608
2007-000070	R3	R-CHIP	0ohm, 5%, 1/16W, DA, TP, 1608
2007-000070	R305	R-CHIP	0ohm, 5%, 1/16W, DA, TP, 1608
2007-000070	R306	R-CHIP	0ohm, 5%, 1/16W, DA, TP, 1608
2007-000070	R307	R-CHIP	0ohm, 5%, 1/16W, DA, TP, 1608
2007-000070	R308	R-CHIP	0ohm, 5%, 1/16W, DA, TP, 1608
2007-000070	R309	R-CHIP	0ohm, 5%, 1/16W, DA, TP, 1608
2007-000070	R310	R-CHIP	0ohm, 5%, 1/16W, DA, TP, 1608
2007-000070	R311	R-CHIP	0ohm, 5%, 1/16W, DA, TP, 1608
2007-000070	R312	R-CHIP	0ohm, 5%, 1/16W, DA, TP, 1608
2007-000070	R313	R-CHIP	0ohm, 5%, 1/16W, DA, TP, 1608
2007-000070	R320	R-CHIP	0ohm, 5%, 1/16W, DA, TP, 1608
2007-000070	R321	R-CHIP	0ohm, 5%, 1/16W, DA, TP, 1608
2007-000070	R322	R-CHIP	0ohm, 5%, 1/16W, DA, TP, 1608
2007-000070	R323	R-CHIP	0ohm, 5%, 1/16W, DA, TP, 1608
2007-000070	R325	R-CHIP	0ohm, 5%, 1/16W, DA, TP, 1608







2007-000071	R827	R-CHIP	22ohm,5%,1/16W,DA,TP,1608
2007-000071	R830	R-CHIP	22ohm,5%,1/16W,DA,TP,1608
2007-000071	R832	R-CHIP	22ohm,5%,1/16W,DA,TP,1608
2007-000071	R834	R-CHIP	22ohm,5%,1/16W,DA,TP,1608
2007-000072	R20	R-CHIP	47ohm,5%,1/16W,DA,TP,1608
2007-000072	R47	R-CHIP	47ohm,5%,1/16W,DA,TP,1608
2007-000072	R73	R-CHIP	47ohm,5%,1/16W,DA,TP,1608
2007-000074	R10	R-CHIP	100ohm,5%,1/16W,DA,TP,1608
2007-000074	R17	R-CHIP	100ohm,5%,1/16W,DA,TP,1608
2007-000074	R19	R-CHIP	100ohm,5%,1/16W,DA,TP,1608
2007-000074	R209	R-CHIP	100ohm,5%,1/16W,DA,TP,1608
2007-000074	R210	R-CHIP	100ohm,5%,1/16W,DA,TP,1608
2007-000074	R224	R-CHIP	100ohm,5%,1/16W,DA,TP,1608
2007-000074	R225	R-CHIP	100ohm,5%,1/16W,DA,TP,1608
2007-000074	R229	R-CHIP	100ohm,5%,1/16W,DA,TP,1608
2007-000074	R230	R-CHIP	100ohm,5%,1/16W,DA,TP,1608
2007-000074	R242	R-CHIP	100ohm,5%,1/16W,DA,TP,1608
2007-000074	R31	R-CHIP	100ohm,5%,1/16W,DA,TP,1608
2007-000074	R315	R-CHIP	100ohm,5%,1/16W,DA,TP,1608
2007-000074	R316	R-CHIP	100ohm,5%,1/16W,DA,TP,1608
2007-000074	R319	R-CHIP	100ohm,5%,1/16W,DA,TP,1608
2007-000074	R324	R-CHIP	100ohm,5%,1/16W,DA,TP,1608
2007-000074	R326	R-CHIP	100ohm,5%,1/16W,DA,TP,1608
2007-000074	R332	R-CHIP	100ohm,5%,1/16W,DA,TP,1608
2007-000074	R334	R-CHIP	100ohm,5%,1/16W,DA,TP,1608
2007-000074	R335	R-CHIP	100ohm,5%,1/16W,DA,TP,1608
2007-000074	R340	R-CHIP	100ohm,5%,1/16W,DA,TP,1608
2007-000074	R365	R-CHIP	100ohm,5%,1/16W,DA,TP,1608
2007-000074	R366	R-CHIP	100ohm,5%,1/16W,DA,TP,1608
2007-000074	R367	R-CHIP	100ohm,5%,1/16W,DA,TP,1608
2007-000074	R369	R-CHIP	100ohm,5%,1/16W,DA,TP,1608
2007-000074	R371	R-CHIP	100ohm,5%,1/16W,DA,TP,1608
2007-000074	R4	R-CHIP	100ohm,5%,1/16W,DA,TP,1608
2007-000074	R417	R-CHIP	100ohm,5%,1/16W,DA,TP,1608
2007-000074	R419	R-CHIP	100ohm,5%,1/16W,DA,TP,1608
2007-000074	R421	R-CHIP	100ohm,5%,1/16W,DA,TP,1608
2007-000074	R501	R-CHIP	100ohm,5%,1/16W,DA,TP,1608
2007-000074	R502	R-CHIP	100ohm,5%,1/16W,DA,TP,1608
2007-000074	R503	R-CHIP	100ohm,5%,1/16W,DA,TP,1608
2007-000074	R504	R-CHIP	100ohm,5%,1/16W,DA,TP,1608
2007-000074	R505	R-CHIP	100ohm,5%,1/16W,DA,TP,1608
2007-000074	R506	R-CHIP	100ohm,5%,1/16W,DA,TP,1608
2007-000074	R507	R-CHIP	100ohm,5%,1/16W,DA,TP,1608
2007-000074	R508	R-CHIP	100ohm,5%,1/16W,DA,TP,1608
2007-000074	R509	R-CHIP	100ohm,5%,1/16W,DA,TP,1608
2007-000074	R510	R-CHIP	100ohm,5%,1/16W,DA,TP,1608
2007-000074	R517	R-CHIP	100ohm,5%,1/16W,DA,TP,1608





2007-000077	R36	R-CHIP	470ohm, 5%, 1/16W, DA, TP, 1608
2007-000077	R37	R-CHIP	470ohm, 5%, 1/16W, DA, TP, 1608
2007-000077	R44	R-CHIP	470ohm, 5%, 1/16W, DA, TP, 1608
2007-000077	R48	R-CHIP	470ohm, 5%, 1/16W, DA, TP, 1608
2007-000077	R54	R-CHIP	470ohm, 5%, 1/16W, DA, TP, 1608
2007-000077	R55	R-CHIP	470ohm, 5%, 1/16W, DA, TP, 1608
2007-000077	R78	R-CHIP	470ohm, 5%, 1/16W, DA, TP, 1608
2007-000077	R79	R-CHIP	470ohm, 5%, 1/16W, DA, TP, 1608
2007-000077	R950	R-CHIP	470ohm, 5%, 1/16W, DA, TP, 1608
2007-000077	R953	R-CHIP	470ohm, 5%, 1/16W, DA, TP, 1608
2007-000077	R969	R-CHIP	470ohm, 5%, 1/16W, DA, TP, 1608
2007-000077	R971	R-CHIP	470ohm, 5%, 1/16W, DA, TP, 1608
2007-000077	R976	R-CHIP	470ohm, 5%, 1/16W, DA, TP, 1608
2007-000077	R980	R-CHIP	470ohm, 5%, 1/16W, DA, TP, 1608
2007-000078	R126	R-CHIP	1Kohm, 5%, 1/16W, DA, TP, 1608
2007-000078	R127	R-CHIP	1Kohm, 5%, 1/16W, DA, TP, 1608
2007-000078	R15	R-CHIP	1Kohm, 5%, 1/16W, DA, TP, 1608
2007-000078	R227	R-CHIP	1Kohm, 5%, 1/16W, DA, TP, 1608
2007-000078	R24	R-CHIP	1Kohm, 5%, 1/16W, DA, TP, 1608
2007-000078	R301	R-CHIP	1Kohm, 5%, 1/16W, DA, TP, 1608
2007-000078	R303	R-CHIP	1Kohm, 5%, 1/16W, DA, TP, 1608
2007-000078	R304	R-CHIP	1Kohm, 5%, 1/16W, DA, TP, 1608
2007-000078	R330	R-CHIP	1Kohm, 5%, 1/16W, DA, TP, 1608
2007-000078	R359	R-CHIP	1Kohm, 5%, 1/16W, DA, TP, 1608
2007-000078	R362	R-CHIP	1Kohm, 5%, 1/16W, DA, TP, 1608
2007-000078	R363	R-CHIP	1Kohm, 5%, 1/16W, DA, TP, 1608
2007-000078	R45	R-CHIP	1Kohm, 5%, 1/16W, DA, TP, 1608
2007-000078	R49	R-CHIP	1Kohm, 5%, 1/16W, DA, TP, 1608
2007-000078	R524	R-CHIP	1Kohm, 5%, 1/16W, DA, TP, 1608
2007-000078	R537	R-CHIP	1Kohm, 5%, 1/16W, DA, TP, 1608
2007-000078	R538	R-CHIP	1Kohm, 5%, 1/16W, DA, TP, 1608
2007-000078	R543	R-CHIP	1Kohm, 5%, 1/16W, DA, TP, 1608
2007-000078	R544	R-CHIP	1Kohm, 5%, 1/16W, DA, TP, 1608
2007-000078	R545	R-CHIP	1Kohm, 5%, 1/16W, DA, TP, 1608
2007-000078	R546	R-CHIP	1Kohm, 5%, 1/16W, DA, TP, 1608
2007-000078	R547	R-CHIP	1Kohm, 5%, 1/16W, DA, TP, 1608
2007-000078	R548	R-CHIP	1Kohm, 5%, 1/16W, DA, TP, 1608
2007-000079	R69	R-CHIP	1.8Kohm, 5%, 1/16W, DA, TP, 1608
2007-000080	R240	R-CHIP	2Kohm, 5%, 1/16W, DA, TP, 1608
2007-000080	R348	R-CHIP	2Kohm, 5%, 1/16W, DA, TP, 1608
2007-000081	R226	R-CHIP	2.7Kohm, 5%, 1/16W, DA, TP, 1608
2007-000081	R433	R-CHIP	2.7Kohm, 5%, 1/16W, DA, TP, 1608
2007-000084	R102	R-CHIP	4.7Kohm, 5%, 1/16W, DA, TP, 1608
2007-000084	R105	R-CHIP	4.7Kohm, 5%, 1/16W, DA, TP, 1608
2007-000084	R106	R-CHIP	4.7Kohm, 5%, 1/16W, DA, TP, 1608
2007-000084	R107	R-CHIP	4.7Kohm, 5%, 1/16W, DA, TP, 1608
2007-000084	R108	R-CHIP	4.7Kohm, 5%, 1/16W, DA, TP, 1608



2007-000084	R977	R-CHIP	4.7Kohm,5%,1/16W,DA,TP,1608
2007-000084	R981	R-CHIP	4.7Kohm,5%,1/16W,DA,TP,1608
2007-000090	R101	R-CHIP	10KOHM,5%,1/16W,DA,TP,1608
2007-000090	R121	R-CHIP	10KOHM,5%,1/16W,DA,TP,1608
2007-000090	R211	R-CHIP	10KOHM,5%,1/16W,DA,TP,1608
2007-000090	R214	R-CHIP	10KOHM,5%,1/16W,DA,TP,1608
2007-000090	R360	R-CHIP	10KOHM,5%,1/16W,DA,TP,1608
2007-000090	R375	R-CHIP	10KOHM,5%,1/16W,DA,TP,1608
2007-000090	R415	R-CHIP	10KOHM,5%,1/16W,DA,TP,1608
2007-000090	R423	R-CHIP	10KOHM,5%,1/16W,DA,TP,1608
2007-000090	R532	R-CHIP	10KOHM,5%,1/16W,DA,TP,1608
2007-000090	R539	R-CHIP	10KOHM,5%,1/16W,DA,TP,1608
2007-000090	R540	R-CHIP	10KOHM,5%,1/16W,DA,TP,1608
2007-000090	R541	R-CHIP	10KOHM,5%,1/16W,DA,TP,1608
2007-000090	R542	R-CHIP	10KOHM,5%,1/16W,DA,TP,1608
2007-000090	R601	R-CHIP	10KOHM,5%,1/16W,DA,TP,1608
2007-000090	R603	R-CHIP	10KOHM,5%,1/16W,DA,TP,1608
2007-000090	R605	R-CHIP	10KOHM,5%,1/16W,DA,TP,1608
2007-000090	R607	R-CHIP	10KOHM,5%,1/16W,DA,TP,1608
2007-000090	R608	R-CHIP	10KOHM,5%,1/16W,DA,TP,1608
2007-000090	R77	R-CHIP	10KOHM,5%,1/16W,DA,TP,1608
2007-000090	R801	R-CHIP	10KOHM,5%,1/16W,DA,TP,1608
2007-000090	R802	R-CHIP	10KOHM,5%,1/16W,DA,TP,1608
2007-000090	R804	R-CHIP	10KOHM,5%,1/16W,DA,TP,1608
2007-000090	R806	R-CHIP	10KOHM,5%,1/16W,DA,TP,1608
2007-000090	R807	R-CHIP	10KOHM,5%,1/16W,DA,TP,1608
2007-000090	R904	R-CHIP	10KOHM,5%,1/16W,DA,TP,1608
2007-000090	R956	R-CHIP	10KOHM,5%,1/16W,DA,TP,1608
2007-000090	R962	R-CHIP	10KOHM,5%,1/16W,DA,TP,1608
2007-000090	R968	R-CHIP	10KOHM,5%,1/16W,DA,TP,1608
2007-000090	R974	R-CHIP	10KOHM,5%,1/16W,DA,TP,1608
2007-000090	R978	R-CHIP	10KOHM,5%,1/16W,DA,TP,1608
2007-000090	R984	R-CHIP	10KOHM,5%,1/16W,DA,TP,1608
2007-000090	R985	R-CHIP	10KOHM,5%,1/16W,DA,TP,1608
2007-000092	R103	R-CHIP	15Kohm,5%,1/16W,DA,TP,1608
2007-000092	R314	R-CHIP	15Kohm,5%,1/16W,DA,TP,1608
2007-000093	R516	R-CHIP	20Kohm,5%,1/16W,DA,TP,1608
2007-000093	R518	R-CHIP	20Kohm,5%,1/16W,DA,TP,1608
2007-000093	R937	R-CHIP	20Kohm,5%,1/16W,DA,TP,1608
2007-000094	R318	R-CHIP	22Kohm,5%,1/16W,DA,TP,1608
2007-000097	R14	R-CHIP	47Kohm,5%,1/16W,DA,TP,1608
2007-000097	R21	R-CHIP	47Kohm,5%,1/16W,DA,TP,1608
2007-000097	R22	R-CHIP	47Kohm,5%,1/16W,DA,TP,1608
2007-000102	R18	R-CHIP	100Kohm,5%,1/16W,DA,TP,1608
2007-000102	R201	R-CHIP	100Kohm,5%,1/16W,DA,TP,1608
2007-000102	R203	R-CHIP	100Kohm,5%,1/16W,DA,TP,1608
2007-000102	R248	R-CHIP	100Kohm,5%,1/16W,DA,TP,1608

2007-000102	R401	R-CHIP	100Kohm, 5%, 1/16W, DA, TP, 1608
2007-000102	R403	R-CHIP	100Kohm, 5%, 1/16W, DA, TP, 1608
2007-000102	R936	R-CHIP	100Kohm, 5%, 1/16W, DA, TP, 1608
2007-000102	R975	R-CHIP	100Kohm, 5%, 1/16W, DA, TP, 1608
2007-000102	R979	R-CHIP	100Kohm, 5%, 1/16W, DA, TP, 1608
2007-000102	R983	R-CHIP	100Kohm, 5%, 1/16W, DA, TP, 1608
2007-000102	R986	R-CHIP	100Kohm, 5%, 1/16W, DA, TP, 1608
2007-000107	R361	R-CHIP	470Kohm, 5%, 1/16W, DA, TP, 1608
2007-000107	R416	R-CHIP	470Kohm, 5%, 1/16W, DA, TP, 1608
2007-000109	R520	R-CHIP	1Mohm, 5%, 1/16W, DA, TP, 1608
2007-000113	R355	R-CHIP	33ohm, 5%, 1/16W, DA, TP, 1608
2007-000113	R356	R-CHIP	33ohm, 5%, 1/16W, DA, TP, 1608
2007-000113	R357	R-CHIP	33ohm, 5%, 1/16W, DA, TP, 1608
2007-000113	R376	R-CHIP	33ohm, 5%, 1/16W, DA, TP, 1608
2007-000113	R377	R-CHIP	33ohm, 5%, 1/16W, DA, TP, 1608
2007-000113	R378	R-CHIP	33ohm, 5%, 1/16W, DA, TP, 1608
2007-000113	R408	R-CHIP	33ohm, 5%, 1/16W, DA, TP, 1608
2007-000113	R409	R-CHIP	33ohm, 5%, 1/16W, DA, TP, 1608
2007-000113	R410	R-CHIP	33ohm, 5%, 1/16W, DA, TP, 1608
2007-000113	R427	R-CHIP	33ohm, 5%, 1/16W, DA, TP, 1608
2007-000113	R428	R-CHIP	33ohm, 5%, 1/16W, DA, TP, 1608
2007-000113	R429	R-CHIP	33ohm, 5%, 1/16W, DA, TP, 1608
2007-000113	R702	R-CHIP	33ohm, 5%, 1/16W, DA, TP, 1608
2007-000113	R74	R-CHIP	33ohm, 5%, 1/16W, DA, TP, 1608
2007-000119	R29	R-CHIP	560ohm, 5%, 1/16W, DA, TP, 1608
2007-000119	R51	R-CHIP	560ohm, 5%, 1/16W, DA, TP, 1608
2007-000119	R72	R-CHIP	560ohm, 5%, 1/16W, DA, TP, 1608
2007-000122	R934	R-CHIP	1.2Kohm, 5%, 1/16W, DA, TP, 1608
2007-000124	R27	R-CHIP	2.2Kohm, 5%, 1/16W, DA, TP, 1608
2007-000132	R26	R-CHIP	180Kohm, 5%, 1/16W, DA, TP, 1608
2007-000133	R202	R-CHIP	330Kohm, 5%, 1/16W, DA, TP, 1608
2007-000133	R204	R-CHIP	330Kohm, 5%, 1/16W, DA, TP, 1608
2007-000133	R249	R-CHIP	330Kohm, 5%, 1/16W, DA, TP, 1608
2007-000133	R402	R-CHIP	330Kohm, 5%, 1/16W, DA, TP, 1608
2007-000133	R404	R-CHIP	330Kohm, 5%, 1/16W, DA, TP, 1608
2007-000134	R68	R-CHIP	33Kohm, 5%, 1/16W, DA, TP, 1608
2007-000239	R114	R-CHIP	1.5Kohm, 1%, 1/16W, DA, TP, 1608
2007-000239	R115	R-CHIP	1.5Kohm, 1%, 1/16W, DA, TP, 1608
2007-000305	R706	R-CHIP	10Mohm, 5%, 1/16W, DA, TP, 1608
2007-000309	R212	R-CHIP	10ohm, 5%, 1/16W, DA, TP, 1608
2007-000309	R213	R-CHIP	10ohm, 5%, 1/16W, DA, TP, 1608
2007-000309	R215	R-CHIP	10ohm, 5%, 1/16W, DA, TP, 1608
2007-000309	R216	R-CHIP	10ohm, 5%, 1/16W, DA, TP, 1608
2007-000309	R220	R-CHIP	10ohm, 5%, 1/16W, DA, TP, 1608
2007-000309	R221	R-CHIP	10ohm, 5%, 1/16W, DA, TP, 1608
2007-000309	R222	R-CHIP	10ohm, 5%, 1/16W, DA, TP, 1608
2007-000309	R223	R-CHIP	10ohm, 5%, 1/16W, DA, TP, 1608

2007-000309	R34	R-CHIP	10ohm, 5%, 1/16W, DA, TP, 1608
2007-000309	R511	R-CHIP	10ohm, 5%, 1/16W, DA, TP, 1608
2007-000309	R523	R-CHIP	10ohm, 5%, 1/16W, DA, TP, 1608
2007-000309	R53	R-CHIP	10ohm, 5%, 1/16W, DA, TP, 1608
2007-000309	R533	R-CHIP	10ohm, 5%, 1/16W, DA, TP, 1608
2007-000309	R536	R-CHIP	10ohm, 5%, 1/16W, DA, TP, 1608
2007-000402	R328	R-CHIP	150ohm, 5%, 1/16W, DA, TP, 1608
2007-000402	R35	R-CHIP	150ohm, 5%, 1/16W, DA, TP, 1608
2007-000402	R352	R-CHIP	150ohm, 5%, 1/16W, DA, TP, 1608
2007-000518	R513	R-CHIP	2.7KOHM, 5%, 1/10W, DA, TP, 2012
2007-000799	R234	R-CHIP	360ohm, 5%, 1/16W, DA, TP, 1608
2007-000981	R41	R-CHIP	5.6KOHM, 5%, 1/10W, DA, TP, 2012
2007-000981	R512	R-CHIP	5.6KOHM, 5%, 1/10W, DA, TP, 2012
2007-000981	R57	R-CHIP	5.6KOHM, 5%, 1/10W, DA, TP, 2012
2007-000981	R76	R-CHIP	5.6KOHM, 5%, 1/10W, DA, TP, 2012
2007-001002	R228	R-CHIP	510ohm, 5%, 1/16W, DA, TP, 1608
2007-001167	R11	R-CHIP	75ohm, 5%, 1/16W, DA, TP, 1608
2007-001167	R12	R-CHIP	75ohm, 5%, 1/16W, DA, TP, 1608
2007-001167	R13	R-CHIP	75ohm, 5%, 1/16W, DA, TP, 1608
2007-001167	R235	R-CHIP	75ohm, 5%, 1/16W, DA, TP, 1608
2007-001167	R236	R-CHIP	75ohm, 5%, 1/16W, DA, TP, 1608
2007-001167	R237	R-CHIP	75ohm, 5%, 1/16W, DA, TP, 1608
2007-001167	R30	R-CHIP	75ohm, 5%, 1/16W, DA, TP, 1608
2007-001167	R317	R-CHIP	75ohm, 5%, 1/16W, DA, TP, 1608
2007-001167	R341	R-CHIP	75ohm, 5%, 1/16W, DA, TP, 1608
2007-001167	R342	R-CHIP	75ohm, 5%, 1/16W, DA, TP, 1608
2007-001167	R343	R-CHIP	75ohm, 5%, 1/16W, DA, TP, 1608
2007-001167	R344	R-CHIP	75ohm, 5%, 1/16W, DA, TP, 1608
2007-001167	R347	R-CHIP	75ohm, 5%, 1/16W, DA, TP, 1608
2007-001167	R353	R-CHIP	75ohm, 5%, 1/16W, DA, TP, 1608
2007-001167	R379	R-CHIP	75ohm, 5%, 1/16W, DA, TP, 1608
2007-001167	R412	R-CHIP	75ohm, 5%, 1/16W, DA, TP, 1608
2007-001167	R413	R-CHIP	75ohm, 5%, 1/16W, DA, TP, 1608
2007-001167	R414	R-CHIP	75ohm, 5%, 1/16W, DA, TP, 1608
2007-001167	R430	R-CHIP	75ohm, 5%, 1/16W, DA, TP, 1608
2007-001167	R431	R-CHIP	75ohm, 5%, 1/16W, DA, TP, 1608
2007-001167	R432	R-CHIP	75ohm, 5%, 1/16W, DA, TP, 1608
2007-001167	R52	R-CHIP	75ohm, 5%, 1/16W, DA, TP, 1608
2007-001167	R81	R-CHIP	75ohm, 5%, 1/16W, DA, TP, 1608
2007-001167	R82	R-CHIP	75ohm, 5%, 1/16W, DA, TP, 1608
2007-001213	R370	R-CHIP	820HM, 1%, 1/10W, DA, TP, 2012
2007-002902	R940	R-CHIP	162Kohm, 1%, 1/16W, DA, TP, 1608
2007-007730	R938	R-CHIP	6.8MOHM, 1%, 1/10W, DA, TP, 1608
2007-007730	R941	R-CHIP	6.8MOHM, 1%, 1/10W, DA, TP, 1608
2011-000002	RA201	R-NETWORK	22ohm, 5%, 63mW, L, CHIP, 8P, TP
2011-000002	RA202	R-NETWORK	22ohm, 5%, 63mW, L, CHIP, 8P, TP
2011-000002	RA203	R-NETWORK	22ohm, 5%, 63mW, L, CHIP, 8P, TP

SNA



2011-000002	RA810	R-NETWORK	22ohm,5%,63mW,L,CHIP,8P,TP
2011-000002	RA811	R-NETWORK	22ohm,5%,63mW,L,CHIP,8P,TP
2011-000002	RA812	R-NETWORK	22ohm,5%,63mW,L,CHIP,8P,TP
2011-000002	RA813	R-NETWORK	22ohm,5%,63mW,L,CHIP,8P,TP
2011-000002	RA814	R-NETWORK	22ohm,5%,63mW,L,CHIP,8P,TP
2011-000002	RA815	R-NETWORK	22ohm,5%,63mW,L,CHIP,8P,TP
2011-000002	RA816	R-NETWORK	22ohm,5%,63mW,L,CHIP,8P,TP
2011-000002	RA817	R-NETWORK	22ohm,5%,63mW,L,CHIP,8P,TP
2203-000140	C506	C-CERAMIC,CHIP	1.5nF,10%,50V,X7R,TP,1608,-
2203-000140	C517	C-CERAMIC,CHIP	1.5nF,10%,50V,X7R,TP,1608,-
2203-000140	C567	C-CERAMIC,CHIP	1.5nF,10%,50V,X7R,TP,1608,-
2203-000140	C578	C-CERAMIC,CHIP	1.5nF,10%,50V,X7R,TP,1608,-
2203-000140	C579	C-CERAMIC,CHIP	1.5nF,10%,50V,X7R,TP,1608,-
2203-000189	C101	C-CERAMIC,CHIP	100nF,+80-20%,25V,Y5V,TP,1608,
2203-000189	C102	C-CERAMIC,CHIP	100nF,+80-20%,25V,Y5V,TP,1608,
2203-000189	C103	C-CERAMIC,CHIP	100nF,+80-20%,25V,Y5V,TP,1608,
2203-000189	C104	C-CERAMIC,CHIP	100nF,+80-20%,25V,Y5V,TP,1608,
2203-000189	C105	C-CERAMIC,CHIP	100nF,+80-20%,25V,Y5V,TP,1608,
2203-000189	C106	C-CERAMIC,CHIP	100nF,+80-20%,25V,Y5V,TP,1608,
2203-000189	C109	C-CERAMIC,CHIP	100nF,+80-20%,25V,Y5V,TP,1608,
2203-000189	C111	C-CERAMIC,CHIP	100nF,+80-20%,25V,Y5V,TP,1608,
2203-000189	C112	C-CERAMIC,CHIP	100nF,+80-20%,25V,Y5V,TP,1608,
2203-000189	C113	C-CERAMIC,CHIP	100nF,+80-20%,25V,Y5V,TP,1608,
2203-000189	C114	C-CERAMIC,CHIP	100nF,+80-20%,25V,Y5V,TP,1608,
2203-000189	C17	C-CERAMIC,CHIP	100nF,+80-20%,25V,Y5V,TP,1608,
2203-000189	C18	C-CERAMIC,CHIP	100nF,+80-20%,25V,Y5V,TP,1608,
2203-000189	C2	C-CERAMIC,CHIP	100nF,+80-20%,25V,Y5V,TP,1608,
2203-000189	C217	C-CERAMIC,CHIP	100nF,+80-20%,25V,Y5V,TP,1608,
2203-000189	C218	C-CERAMIC,CHIP	100nF,+80-20%,25V,Y5V,TP,1608,
2203-000189	C23	C-CERAMIC,CHIP	100nF,+80-20%,25V,Y5V,TP,1608,
2203-000189	C24	C-CERAMIC,CHIP	100nF,+80-20%,25V,Y5V,TP,1608,
2203-000189	C254	C-CERAMIC,CHIP	100nF,+80-20%,25V,Y5V,TP,1608,
2203-000189	C255	C-CERAMIC,CHIP	100nF,+80-20%,25V,Y5V,TP,1608,
2203-000189	C256	C-CERAMIC,CHIP	100nF,+80-20%,25V,Y5V,TP,1608,
2203-000189	C29	C-CERAMIC,CHIP	100nF,+80-20%,25V,Y5V,TP,1608,
2203-000189	C30	C-CERAMIC,CHIP	100nF,+80-20%,25V,Y5V,TP,1608,
2203-000189	C305	C-CERAMIC,CHIP	100nF,+80-20%,25V,Y5V,TP,1608,
2203-000189	C306	C-CERAMIC,CHIP	100nF,+80-20%,25V,Y5V,TP,1608,
2203-000189	C307	C-CERAMIC,CHIP	100nF,+80-20%,25V,Y5V,TP,1608,
2203-000189	C309	C-CERAMIC,CHIP	100nF,+80-20%,25V,Y5V,TP,1608,
2203-000189	C310	C-CERAMIC,CHIP	100nF,+80-20%,25V,Y5V,TP,1608,
2203-000189	C313	C-CERAMIC,CHIP	100nF,+80-20%,25V,Y5V,TP,1608,
2203-000189	C314	C-CERAMIC,CHIP	100nF,+80-20%,25V,Y5V,TP,1608,
2203-000189	C315	C-CERAMIC,CHIP	100nF,+80-20%,25V,Y5V,TP,1608,
2203-000189	C316	C-CERAMIC,CHIP	100nF,+80-20%,25V,Y5V,TP,1608,
2203-000189	C317	C-CERAMIC,CHIP	100nF,+80-20%,25V,Y5V,TP,1608,
2203-000189	C32	C-CERAMIC,CHIP	100nF,+80-20%,25V,Y5V,TP,1608,











2203-000206	C929	C-CERAMIC,CHIP	100nF,10%,50V,X7R,TP,2012
2203-000236	C15	C-CERAMIC,CHIP	0.1nF,5%,50V,NPO,TP,1608
2203-000236	C16	C-CERAMIC,CHIP	0.1nF,5%,50V,NPO,TP,1608
2203-000236	C66	C-CERAMIC,CHIP	0.1nF,5%,50V,NPO,TP,1608
2203-000236	C67	C-CERAMIC,CHIP	0.1nF,5%,50V,NPO,TP,1608
2203-000257	C22	C-CERAMIC,CHIP	10nF,10%,50V,X7R,TP,1608
2203-000257	C257	C-CERAMIC,CHIP	10nF,10%,50V,X7R,TP,1608
2203-000257	C349	C-CERAMIC,CHIP	10nF,10%,50V,X7R,TP,1608
2203-000257	C350	C-CERAMIC,CHIP	10nF,10%,50V,X7R,TP,1608
2203-000257	C351	C-CERAMIC,CHIP	10nF,10%,50V,X7R,TP,1608
2203-000257	C353	C-CERAMIC,CHIP	10nF,10%,50V,X7R,TP,1608
2203-000257	C368	C-CERAMIC,CHIP	10nF,10%,50V,X7R,TP,1608
2203-000257	C374	C-CERAMIC,CHIP	10nF,10%,50V,X7R,TP,1608
2203-000257	C375	C-CERAMIC,CHIP	10nF,10%,50V,X7R,TP,1608
2203-000257	C376	C-CERAMIC,CHIP	10nF,10%,50V,X7R,TP,1608
2203-000257	C429	C-CERAMIC,CHIP	10nF,10%,50V,X7R,TP,1608
2203-000257	C431	C-CERAMIC,CHIP	10nF,10%,50V,X7R,TP,1608
2203-000257	C432	C-CERAMIC,CHIP	10nF,10%,50V,X7R,TP,1608
2203-000257	C434	C-CERAMIC,CHIP	10nF,10%,50V,X7R,TP,1608
2203-000257	C448	C-CERAMIC,CHIP	10nF,10%,50V,X7R,TP,1608
2203-000257	C449	C-CERAMIC,CHIP	10nF,10%,50V,X7R,TP,1608
2203-000257	C450	C-CERAMIC,CHIP	10nF,10%,50V,X7R,TP,1608
2203-000257	C512	C-CERAMIC,CHIP	10nF,10%,50V,X7R,TP,1608
2203-000257	C514	C-CERAMIC,CHIP	10nF,10%,50V,X7R,TP,1608
2203-000257	C902	C-CERAMIC,CHIP	10nF,10%,50V,X7R,TP,1608
2203-000257	C938	C-CERAMIC,CHIP	10nF,10%,50V,X7R,TP,1608
2203-000257	C942	C-CERAMIC,CHIP	10nF,10%,50V,X7R,TP,1608
2203-000257	C947	C-CERAMIC,CHIP	10nF,10%,50V,X7R,TP,1608
2203-000257	C950	C-CERAMIC,CHIP	10nF,10%,50V,X7R,TP,1608
2203-000257	C956	C-CERAMIC,CHIP	10nF,10%,50V,X7R,TP,1608
2203-000257	C960	C-CERAMIC,CHIP	10nF,10%,50V,X7R,TP,1608
2203-000257	C963	C-CERAMIC,CHIP	10nF,10%,50V,X7R,TP,1608
2203-000257	C969	C-CERAMIC,CHIP	10nF,10%,50V,X7R,TP,1608
2203-000257	C986	C-CERAMIC,CHIP	10nF,10%,50V,X7R,TP,1608
2203-000257	C994	C-CERAMIC,CHIP	10nF,10%,50V,X7R,TP,1608
2203-000280	C679	C-CERAMIC,CHIP	0.01nF,0.5pF,50V,NPO,TP,1608
2203-000357	C25	C-CERAMIC,CHIP	0.15nF,5%,50V,NPO,TP,1608
2203-000357	C26	C-CERAMIC,CHIP	0.15nF,5%,50V,NPO,TP,1608
2203-000384	C228	C-CERAMIC,CHIP	0.015nF,5%,50V,NPO,TP,1608
2203-000384	C272	C-CERAMIC,CHIP	0.015nF,5%,50V,NPO,TP,1608
2203-000384	C671	C-CERAMIC,CHIP	0.015nF,5%,50V,NPO,TP,1608
2203-000384	C716	C-CERAMIC,CHIP	0.015nF,5%,50V,NPO,TP,1608
2203-000384	C717	C-CERAMIC,CHIP	0.015nF,5%,50V,NPO,TP,1608
2203-000384	C718	C-CERAMIC,CHIP	0.015nF,5%,50V,NPO,TP,1608
2203-000384	C736	C-CERAMIC,CHIP	0.015nF,5%,50V,NPO,TP,1608
2203-000384	C873	C-CERAMIC,CHIP	0.015nF,5%,50V,NPO,TP,1608
2203-000440	C13	C-CERAMIC,CHIP	1nF,10%,50V,X7R,TP,1608,-



2203-000440	C827	C-CERAMIC,CHIP	1nF, 10%, 50V, X7R, TP, 1608, -
2203-000491	C359	C-CERAMIC,CHIP	2.2nF, 10%, 50V, X7R, TP, 1608, -
2203-000491	C932	C-CERAMIC,CHIP	2.2nF, 10%, 50V, X7R, TP, 1608, -
2203-000552	C115	C-CERAMIC,CHIP	0.02nF, 5%, 50V, NPO, TP, 1608
2203-000575	C919	C-CERAMIC,CHIP	220NF, 10%, 25V, X7R, TP, 2012
2203-000626	C21	C-CERAMIC,CHIP	0.022nF, 5%, 50V, NPO, TP, 1608
2203-000626	C28	C-CERAMIC,CHIP	0.022nF, 5%, 50V, NPO, TP, 1608
2203-000626	C303	C-CERAMIC,CHIP	0.022nF, 5%, 50V, NPO, TP, 1608
2203-000626	C304	C-CERAMIC,CHIP	0.022nF, 5%, 50V, NPO, TP, 1608
2203-000626	C31	C-CERAMIC,CHIP	0.022nF, 5%, 50V, NPO, TP, 1608
2203-000626	C52	C-CERAMIC,CHIP	0.022nF, 5%, 50V, NPO, TP, 1608
2203-000626	C53	C-CERAMIC,CHIP	0.022nF, 5%, 50V, NPO, TP, 1608
2203-000626	C54	C-CERAMIC,CHIP	0.022nF, 5%, 50V, NPO, TP, 1608
2203-000626	C55	C-CERAMIC,CHIP	0.022nF, 5%, 50V, NPO, TP, 1608
2203-000626	C720	C-CERAMIC,CHIP	0.022nF, 5%, 50V, NPO, TP, 1608
2203-000701	C536	C-CERAMIC,CHIP	0.002nF, 0.25pF, 50V, NPO, TP, 2012
2203-000701	C537	C-CERAMIC,CHIP	0.002nF, 0.25pF, 50V, NPO, TP, 2012
2203-000716	C561	C-CERAMIC,CHIP	3.3nF, 10%, 50V, X7R, TP, 2012, -
2203-000716	C562	C-CERAMIC,CHIP	3.3nF, 10%, 50V, X7R, TP, 2012, -
2203-000784	C342	C-CERAMIC,CHIP	0.33nF, 5%, 50V, NPO, TP, 2012
2203-000784	C343	C-CERAMIC,CHIP	0.33nF, 5%, 50V, NPO, TP, 2012
2203-000784	C344	C-CERAMIC,CHIP	0.33nF, 5%, 50V, NPO, TP, 2012
2203-000784	C576	C-CERAMIC,CHIP	0.33nF, 5%, 50V, NPO, TP, 2012
2203-000784	C577	C-CERAMIC,CHIP	0.33nF, 5%, 50V, NPO, TP, 2012
2203-000784	C582	C-CERAMIC,CHIP	0.33nF, 5%, 50V, NPO, TP, 2012
2203-000784	C583	C-CERAMIC,CHIP	0.33nF, 5%, 50V, NPO, TP, 2012
2203-000784	C586	C-CERAMIC,CHIP	0.33nF, 5%, 50V, NPO, TP, 2012
2203-000784	C587	C-CERAMIC,CHIP	0.33nF, 5%, 50V, NPO, TP, 2012
2203-000784	C590	C-CERAMIC,CHIP	0.33nF, 5%, 50V, NPO, TP, 2012
2203-000784	C591	C-CERAMIC,CHIP	0.33nF, 5%, 50V, NPO, TP, 2012
2203-000815	C107	C-CERAMIC,CHIP	0.033nF, 5%, 50V, NPO, TP, 1608
2203-000815	C108	C-CERAMIC,CHIP	0.033nF, 5%, 50V, NPO, TP, 1608
2203-000815	C442	C-CERAMIC,CHIP	0.033nF, 5%, 50V, NPO, TP, 1608
2203-000815	C443	C-CERAMIC,CHIP	0.033nF, 5%, 50V, NPO, TP, 1608
2203-000815	C444	C-CERAMIC,CHIP	0.033nF, 5%, 50V, NPO, TP, 1608
2203-000903	C274	C-CERAMIC,CHIP	0.0047nF, 0.25pF, 50V, NPO, TP, 1608
2203-000903	C275	C-CERAMIC,CHIP	0.0047nF, 0.25pF, 50V, NPO, TP, 1608
2203-000903	C276	C-CERAMIC,CHIP	0.0047nF, 0.25pF, 50V, NPO, TP, 1608
2203-000903	C538	C-CERAMIC,CHIP	0.0047nF, 0.25pF, 50V, NPO, TP, 1608
2203-000903	C539	C-CERAMIC,CHIP	0.0047nF, 0.25pF, 50V, NPO, TP, 1608
2203-000925	C920	C-CERAMIC,CHIP	470NF, +80-20%, 50V, Y5V, TP, 2012
2203-000972	C234	C-CERAMIC,CHIP	47nF, 10%, 16V, X7R, TP, 1608
2203-000972	C235	C-CERAMIC,CHIP	47nF, 10%, 16V, X7R, TP, 1608
2203-000972	C236	C-CERAMIC,CHIP	47nF, 10%, 16V, X7R, TP, 1608
2203-000972	C332	C-CERAMIC,CHIP	47nF, 10%, 16V, X7R, TP, 1608
2203-000972	C333	C-CERAMIC,CHIP	47nF, 10%, 16V, X7R, TP, 1608
2203-000972	C334	C-CERAMIC,CHIP	47nF, 10%, 16V, X7R, TP, 1608

2203-000972	C336	C-CERAMIC,CHIP	47nF,10%,16V,X7R,TP,1608
2203-000972	C337	C-CERAMIC,CHIP	47nF,10%,16V,X7R,TP,1608
2203-000972	C568	C-CERAMIC,CHIP	47nF,10%,16V,X7R,TP,1608
2203-000972	C570	C-CERAMIC,CHIP	47nF,10%,16V,X7R,TP,1608
2203-001048	C921	C-CERAMIC,CHIP	0.56nF,10%,50V,NP0,TP,2012
2203-001077	C521	C-CERAMIC,CHIP	0.056nF,5%,50V,NP0,TP,2012
2203-001077	C523	C-CERAMIC,CHIP	0.056nF,5%,50V,NP0,TP,2012
2203-001077	C525	C-CERAMIC,CHIP	0.056nF,5%,50V,NP0,TP,2012
2203-001211	C233	C-CERAMIC,CHIP	8.2nF,10%,50V,X7R,TP,1608,-
2203-001211	C453	C-CERAMIC,CHIP	8.2nF,10%,50V,X7R,TP,1608,-
2203-001222	C721	C-CERAMIC,CHIP	820pF,10%,50V,X7R,TP,1608,-
2203-001222	C722	C-CERAMIC,CHIP	820pF,10%,50V,X7R,TP,1608,-
2203-001607	C569	C-CERAMIC,CHIP	0.22nF,5%,50V,NP0,TP,1608
2203-001652	C922	C-CERAMIC,CHIP	470nF,+80-20%,16V,Y5V,TP,1608
2203-001656	C352	C-CERAMIC,CHIP	0.47nF,5%,50V,NP0,TP,1608
2203-001656	C433	C-CERAMIC,CHIP	0.47nF,5%,50V,NP0,TP,1608
2203-001656	C505	C-CERAMIC,CHIP	0.47nF,5%,50V,NP0,TP,1608
2203-001656	C518	C-CERAMIC,CHIP	0.47nF,5%,50V,NP0,TP,1608
2203-001656	C565	C-CERAMIC,CHIP	0.47nF,5%,50V,NP0,TP,1608
2203-001724	C930	C-CERAMIC,CHIP	4700nF,+80-20%,16V,Y5V,TP,3216
2203-005005	C202	C-CERAMIC,CHIP	100nF,10%,16V,X7R,TP,1608
2203-005005	C203	C-CERAMIC,CHIP	100nF,10%,16V,X7R,TP,1608
2203-005005	C204	C-CERAMIC,CHIP	100nF,10%,16V,X7R,TP,1608
2203-005005	C205	C-CERAMIC,CHIP	100nF,10%,16V,X7R,TP,1608
2203-005005	C206	C-CERAMIC,CHIP	100nF,10%,16V,X7R,TP,1608
2203-005005	C208	C-CERAMIC,CHIP	100nF,10%,16V,X7R,TP,1608
2203-005005	C209	C-CERAMIC,CHIP	100nF,10%,16V,X7R,TP,1608
2203-005005	C210	C-CERAMIC,CHIP	100nF,10%,16V,X7R,TP,1608
2203-005005	C211	C-CERAMIC,CHIP	100nF,10%,16V,X7R,TP,1608
2203-005005	C212	C-CERAMIC,CHIP	100nF,10%,16V,X7R,TP,1608
2203-005005	C213	C-CERAMIC,CHIP	100nF,10%,16V,X7R,TP,1608
2203-005005	C214	C-CERAMIC,CHIP	100nF,10%,16V,X7R,TP,1608
2203-005005	C215	C-CERAMIC,CHIP	100nF,10%,16V,X7R,TP,1608
2203-005005	C216	C-CERAMIC,CHIP	100nF,10%,16V,X7R,TP,1608
2203-005005	C220	C-CERAMIC,CHIP	100nF,10%,16V,X7R,TP,1608
2203-005005	C221	C-CERAMIC,CHIP	100nF,10%,16V,X7R,TP,1608
2203-005005	C222	C-CERAMIC,CHIP	100nF,10%,16V,X7R,TP,1608
2203-005005	C223	C-CERAMIC,CHIP	100nF,10%,16V,X7R,TP,1608
2203-005005	C224	C-CERAMIC,CHIP	100nF,10%,16V,X7R,TP,1608
2203-005005	C229	C-CERAMIC,CHIP	100nF,10%,16V,X7R,TP,1608
2203-005005	C231	C-CERAMIC,CHIP	100nF,10%,16V,X7R,TP,1608
2203-005005	C238	C-CERAMIC,CHIP	100nF,10%,16V,X7R,TP,1608
2203-005005	C239	C-CERAMIC,CHIP	100nF,10%,16V,X7R,TP,1608
2203-005005	C240	C-CERAMIC,CHIP	100nF,10%,16V,X7R,TP,1608
2203-005005	C241	C-CERAMIC,CHIP	100nF,10%,16V,X7R,TP,1608
2203-005005	C242	C-CERAMIC,CHIP	100nF,10%,16V,X7R,TP,1608
2203-005005	C244	C-CERAMIC,CHIP	100nF,10%,16V,X7R,TP,1608





2203-005015	C548	C-CERAMIC,CHIP	150nF,+80-20%,16V,Y5V,TP,1608
2203-005015	C549	C-CERAMIC,CHIP	150nF,+80-20%,16V,Y5V,TP,1608
2203-005015	C550	C-CERAMIC,CHIP	150nF,+80-20%,16V,Y5V,TP,1608
2203-005015	C556	C-CERAMIC,CHIP	150nF,+80-20%,16V,Y5V,TP,1608
2203-005015	C557	C-CERAMIC,CHIP	150nF,+80-20%,16V,Y5V,TP,1608
2203-005015	C558	C-CERAMIC,CHIP	150nF,+80-20%,16V,Y5V,TP,1608
2203-005065	C672	C-CERAMIC,CHIP	1000nF,+80-20%,10V,Y5V,TP,1608
2203-005065	C673	C-CERAMIC,CHIP	1000nF,+80-20%,10V,Y5V,TP,1608
2203-005065	C674	C-CERAMIC,CHIP	1000nF,+80-20%,10V,Y5V,TP,1608
2203-005065	C675	C-CERAMIC,CHIP	1000nF,+80-20%,10V,Y5V,TP,1608
2203-005065	C676	C-CERAMIC,CHIP	1000nF,+80-20%,10V,Y5V,TP,1608
2203-005065	C677	C-CERAMIC,CHIP	1000nF,+80-20%,10V,Y5V,TP,1608
2203-005065	C990	C-CERAMIC,CHIP	1000nF,+80-20%,10V,Y5V,TP,1608
2203-005065	C998	C-CERAMIC,CHIP	1000nF,+80-20%,10V,Y5V,TP,1608
2203-005137	C904	C-CERAMIC,CHIP	10uF,+80-20%,50V,JE,TP,5650,-
2203-005137	C905	C-CERAMIC,CHIP	10uF,+80-20%,50V,JE,TP,5650,-
2203-005137	C915	C-CERAMIC,CHIP	10uF,+80-20%,50V,JE,TP,5650,-
2203-005137	C916	C-CERAMIC,CHIP	10uF,+80-20%,50V,JE,TP,5650,-
2203-005137	C917	C-CERAMIC,CHIP	10uF,+80-20%,50V,JE,TP,5650,-
2203-005137	C918	C-CERAMIC,CHIP	10uF,+80-20%,50V,JE,TP,5650,-
2203-005137	C928	C-CERAMIC,CHIP	10uF,+80-20%,50V,JE,TP,5650,-
2203-005137	C940	C-CERAMIC,CHIP	10uF,+80-20%,50V,JE,TP,5650,-
2203-005137	C941	C-CERAMIC,CHIP	10uF,+80-20%,50V,JE,TP,5650,-
2203-005137	C944	C-CERAMIC,CHIP	10uF,+80-20%,50V,JE,TP,5650,-
2203-005137	C945	C-CERAMIC,CHIP	10uF,+80-20%,50V,JE,TP,5650,-
2203-005137	C958	C-CERAMIC,CHIP	10uF,+80-20%,50V,JE,TP,5650,-
2203-005137	C959	C-CERAMIC,CHIP	10uF,+80-20%,50V,JE,TP,5650,-
2203-005137	C971	C-CERAMIC,CHIP	10uF,+80-20%,50V,JE,TP,5650,-
2203-005137	C972	C-CERAMIC,CHIP	10uF,+80-20%,50V,JE,TP,5650,-
2203-005137	C988	C-CERAMIC,CHIP	10uF,+80-20%,50V,JE,TP,5650,-
2203-005137	C989	C-CERAMIC,CHIP	10uF,+80-20%,50V,JE,TP,5650,-
2203-005137	C996	C-CERAMIC,CHIP	10uF,+80-20%,50V,JE,TP,5650,-
2203-005137	C997	C-CERAMIC,CHIP	10uF,+80-20%,50V,JE,TP,5650,-
2203-005189	C559	C-CERAMIC,CHIP	680nF,+80-20%,16V,Y5V,TP,2012,
2203-005189	C560	C-CERAMIC,CHIP	680nF,+80-20%,16V,Y5V,TP,2012,
2203-005342	C232	C-CERAMIC,CHIP	82nF,10%,16V,X7R,TP,1608
2203-005342	C452	C-CERAMIC,CHIP	82nF,10%,16V,X7R,TP,1608
2402-000108	C225	C-AL,SMD	10uF,20%,16V,WT,TP,4.3x4.3x5.4
2402-000108	C425	C-AL,SMD	10uF,20%,16V,WT,TP,4.3x4.3x5.4
2402-000144	C502	C-AL,SMD	3.3uF,20%,50V,GP,TP,4.3x4.3x5.4
2402-000170	C11	C-AL,SMD	1uF,20%,50V,GP,TP,4.3x4.3x5.4,
2402-000170	C14	C-AL,SMD	1uF,20%,50V,GP,TP,4.3x4.3x5.4,
2402-000170	C36	C-AL,SMD	1uF,20%,50V,GP,TP,4.3x4.3x5.4,
2402-000170	C527	C-AL,SMD	1uF,20%,50V,GP,TP,4.3x4.3x5.4,
2402-000170	C535	C-AL,SMD	1uF,20%,50V,GP,TP,4.3x4.3x5.4,
2402-000170	C543	C-AL,SMD	1uF,20%,50V,GP,TP,4.3x4.3x5.4,
2402-000173	C545	C-AL,SMD	4.7uF,20%,35V,GP,TP,4.3x4.3x5.4,

2402-000173	C546	C-AL, SMD	4.7uF, 20%, 35V, GP, TP, 4.3x4.3x5.4
2402-000176	C12	C-AL, SMD	10uF, 20%, 16V, GP, TP, 4.3x4.3x5.4
2402-000176	C219	C-AL, SMD	10uF, 20%, 16V, GP, TP, 4.3x4.3x5.4
2402-000176	C237	C-AL, SMD	10uF, 20%, 16V, GP, TP, 4.3x4.3x5.4
2402-000176	C243	C-AL, SMD	10uF, 20%, 16V, GP, TP, 4.3x4.3x5.4
2402-000176	C247	C-AL, SMD	10uF, 20%, 16V, GP, TP, 4.3x4.3x5.4
2402-000176	C260	C-AL, SMD	10uF, 20%, 16V, GP, TP, 4.3x4.3x5.4
2402-000176	C3	C-AL, SMD	10uF, 20%, 16V, GP, TP, 4.3x4.3x5.4
2402-000176	C301	C-AL, SMD	10uF, 20%, 16V, GP, TP, 4.3x4.3x5.4
2402-000176	C345	C-AL, SMD	10uF, 20%, 16V, GP, TP, 4.3x4.3x5.4
2402-000176	C369	C-AL, SMD	10uF, 20%, 16V, GP, TP, 4.3x4.3x5.4
2402-000176	C4	C-AL, SMD	10uF, 20%, 16V, GP, TP, 4.3x4.3x5.4
2402-000176	C403	C-AL, SMD	10uF, 20%, 16V, GP, TP, 4.3x4.3x5.4
2402-000176	C48	C-AL, SMD	10uF, 20%, 16V, GP, TP, 4.3x4.3x5.4
2402-000176	C5	C-AL, SMD	10uF, 20%, 16V, GP, TP, 4.3x4.3x5.4
2402-000176	C503	C-AL, SMD	10uF, 20%, 16V, GP, TP, 4.3x4.3x5.4
2402-000176	C515	C-AL, SMD	10uF, 20%, 16V, GP, TP, 4.3x4.3x5.4
2402-000176	C519	C-AL, SMD	10uF, 20%, 16V, GP, TP, 4.3x4.3x5.4
2402-000176	C520	C-AL, SMD	10uF, 20%, 16V, GP, TP, 4.3x4.3x5.4
2402-000176	C522	C-AL, SMD	10uF, 20%, 16V, GP, TP, 4.3x4.3x5.4
2402-000176	C56	C-AL, SMD	10uF, 20%, 16V, GP, TP, 4.3x4.3x5.4
2402-000176	C563	C-AL, SMD	10uF, 20%, 16V, GP, TP, 4.3x4.3x5.4
2402-000176	C566	C-AL, SMD	10uF, 20%, 16V, GP, TP, 4.3x4.3x5.4
2402-000176	C57	C-AL, SMD	10uF, 20%, 16V, GP, TP, 4.3x4.3x5.4
2402-000176	C6	C-AL, SMD	10uF, 20%, 16V, GP, TP, 4.3x4.3x5.4
2402-000176	C70	C-AL, SMD	10uF, 20%, 16V, GP, TP, 4.3x4.3x5.4
2402-000176	C982	C-AL, SMD	10uF, 20%, 16V, GP, TP, 4.3x4.3x5.4
2402-000176	C983	C-AL, SMD	10uF, 20%, 16V, GP, TP, 4.3x4.3x5.4
2402-000209	C19	C-AL, SMD	22uF, 20%, 16V, WT, TP, 5.3x5.3mm, 1
2402-000209	C20	C-AL, SMD	22uF, 20%, 16V, WT, TP, 5.3x5.3mm, 1
2402-000209	C524	C-AL, SMD	22uF, 20%, 16V, WT, TP, 5.3x5.3mm, 1
2402-000209	C526	C-AL, SMD	22uF, 20%, 16V, WT, TP, 5.3x5.3mm, 1
2402-000209	C623	C-AL, SMD	22uF, 20%, 16V, WT, TP, 5.3x5.3mm, 1
2402-000209	C624	C-AL, SMD	22uF, 20%, 16V, WT, TP, 5.3x5.3mm, 1
2402-000209	C637	C-AL, SMD	22uF, 20%, 16V, WT, TP, 5.3x5.3mm, 1
2402-000209	C666	C-AL, SMD	22uF, 20%, 16V, WT, TP, 5.3x5.3mm, 1
2402-000209	C701	C-AL, SMD	22uF, 20%, 16V, WT, TP, 5.3x5.3mm, 1
2402-000209	C707	C-AL, SMD	22uF, 20%, 16V, WT, TP, 5.3x5.3mm, 1
2402-000209	C723	C-AL, SMD	22uF, 20%, 16V, WT, TP, 5.3x5.3mm, 1
2402-000209	C823	C-AL, SMD	22uF, 20%, 16V, WT, TP, 5.3x5.3mm, 1
2402-000209	C840	C-AL, SMD	22uF, 20%, 16V, WT, TP, 5.3x5.3mm, 1
2402-000209	C845	C-AL, SMD	22uF, 20%, 16V, WT, TP, 5.3x5.3mm, 1
2402-000209	C847	C-AL, SMD	22uF, 20%, 16V, WT, TP, 5.3x5.3mm, 1
2402-000209	C860	C-AL, SMD	22uF, 20%, 16V, WT, TP, 5.3x5.3mm, 1
2402-001006	C572	C-AL, SMD	4.7uF, 20%, 25V, GP, TP, 3.6x6.3x3.3
2402-001006	C573	C-AL, SMD	4.7uF, 20%, 25V, GP, TP, 3.6x6.3x3.3
2402-001006	C580	C-AL, SMD	4.7uF, 20%, 25V, GP, TP, 3.6x6.3x3.3

2402-001006	C581	C-AL, SMD	4.7uF, 20%, 25V, GP, TP, 3.6x6.3x3.
2402-001006	C584	C-AL, SMD	4.7uF, 20%, 25V, GP, TP, 3.6x6.3x3.
2402-001006	C585	C-AL, SMD	4.7uF, 20%, 25V, GP, TP, 3.6x6.3x3.
2402-001006	C588	C-AL, SMD	4.7uF, 20%, 25V, GP, TP, 3.6x6.3x3.
2402-001006	C589	C-AL, SMD	4.7uF, 20%, 25V, GP, TP, 3.6x6.3x3.
2402-001042	C507	C-AL, SMD	100uF, 20%, 16V, GP, TP, 6.6x6.6x5.4mm
2402-001042	C575	C-AL, SMD	100uF, 20%, 16V, GP, TP, 6.6x6.6x5.4mm
2402-001044	C259	C-AL, SMD	100UF, 20%, 25V, GP, TP, 8.3X8.3X6.3MM
2402-001044	C367	C-AL, SMD	100UF, 20%, 25V, GP, TP, 8.3X8.3X6.3MM
2402-001044	C509	C-AL, SMD	100UF, 20%, 25V, GP, TP, 8.3X8.3X6.3MM
2402-001044	C511	C-AL, SMD	100UF, 20%, 25V, GP, TP, 8.3X8.3X6.3MM
2402-001044	C513	C-AL, SMD	100UF, 20%, 25V, GP, TP, 8.3X8.3X6.3MM
2402-001044	C534	C-AL, SMD	100UF, 20%, 25V, GP, TP, 8.3X8.3X6.3MM
2402-001044	C571	C-AL, SMD	100UF, 20%, 25V, GP, TP, 8.3X8.3X6.3MM
2402-001044	C574	C-AL, SMD	100UF, 20%, 25V, GP, TP, 8.3X8.3X6.3MM
2402-001044	C69	C-AL, SMD	100UF, 20%, 25V, GP, TP, 8.3X8.3X6.3MM
2402-001044	C901	C-AL, SMD	100UF, 20%, 25V, GP, TP, 8.3X8.3X6.3MM
2402-001044	C935	C-AL, SMD	100UF, 20%, 25V, GP, TP, 8.3X8.3X6.3MM
2402-001044	C936	C-AL, SMD	100UF, 20%, 25V, GP, TP, 8.3X8.3X6.3MM
2402-001044	C949	C-AL, SMD	100UF, 20%, 25V, GP, TP, 8.3X8.3X6.3MM
2402-001044	C953	C-AL, SMD	100UF, 20%, 25V, GP, TP, 8.3X8.3X6.3MM
2402-001044	C954	C-AL, SMD	100UF, 20%, 25V, GP, TP, 8.3X8.3X6.3MM
2402-001044	C955	C-AL, SMD	100UF, 20%, 25V, GP, TP, 8.3X8.3X6.3MM
2402-001044	C962	C-AL, SMD	100UF, 20%, 25V, GP, TP, 8.3X8.3X6.3MM
2402-001044	C966	C-AL, SMD	100UF, 20%, 25V, GP, TP, 8.3X8.3X6.3MM
2402-001044	C967	C-AL, SMD	100UF, 20%, 25V, GP, TP, 8.3X8.3X6.3MM
2402-001044	C968	C-AL, SMD	100UF, 20%, 25V, GP, TP, 8.3X8.3X6.3MM
2402-001044	C976	C-AL, SMD	100UF, 20%, 25V, GP, TP, 8.3X8.3X6.3MM
2402-001044	C979	C-AL, SMD	100UF, 20%, 25V, GP, TP, 8.3X8.3X6.3MM
2402-001155	C10	C-AL, SMD	47UF, 20%, 16V, WT, TP, 6.3X5.2MM
2402-001155	C27	C-AL, SMD	47UF, 20%, 16V, WT, TP, 6.3X5.2MM
2402-001155	C34	C-AL, SMD	47UF, 20%, 16V, WT, TP, 6.3X5.2MM
2402-001155	C354	C-AL, SMD	47UF, 20%, 16V, WT, TP, 6.3X5.2MM
2402-001155	C355	C-AL, SMD	47UF, 20%, 16V, WT, TP, 6.3X5.2MM
2402-001155	C356	C-AL, SMD	47UF, 20%, 16V, WT, TP, 6.3X5.2MM
2402-001155	C370	C-AL, SMD	47UF, 20%, 16V, WT, TP, 6.3X5.2MM
2402-001155	C371	C-AL, SMD	47UF, 20%, 16V, WT, TP, 6.3X5.2MM
2402-001155	C372	C-AL, SMD	47UF, 20%, 16V, WT, TP, 6.3X5.2MM
2402-001155	C435	C-AL, SMD	47UF, 20%, 16V, WT, TP, 6.3X5.2MM
2402-001155	C436	C-AL, SMD	47UF, 20%, 16V, WT, TP, 6.3X5.2MM
2402-001155	C437	C-AL, SMD	47UF, 20%, 16V, WT, TP, 6.3X5.2MM
2402-001155	C445	C-AL, SMD	47UF, 20%, 16V, WT, TP, 6.3X5.2MM
2402-001155	C446	C-AL, SMD	47UF, 20%, 16V, WT, TP, 6.3X5.2MM
2402-001155	C447	C-AL, SMD	47UF, 20%, 16V, WT, TP, 6.3X5.2MM
2402-001155	C508	C-AL, SMD	47UF, 20%, 16V, WT, TP, 6.3X5.2MM
2402-001155	C64	C-AL, SMD	47UF, 20%, 16V, WT, TP, 6.3X5.2MM
2402-001155	C65	C-AL, SMD	47UF, 20%, 16V, WT, TP, 6.3X5.2MM

2402-001155	C975	C-AL, SMD	47UF, 20%, 16V, WT, TP, 6.3X5.2MM
2402-001155	C978	C-AL, SMD	47UF, 20%, 16V, WT, TP, 6.3X5.2MM
2409-001029	C308	C-ORGANIC	120uF, 20%, 6.3V, WT, TP, 10.3x10.3x10.3mm, 9
2409-001029	C311	C-ORGANIC	120uF, 20%, 6.3V, WT, TP, 10.3x10.3x10.3mm, 9
2409-001029	C312	C-ORGANIC	120uF, 20%, 6.3V, WT, TP, 10.3x10.3x10.3mm, 9
2409-001029	C318	C-ORGANIC	120uF, 20%, 6.3V, WT, TP, 10.3x10.3x10.3mm, 9
2409-001029	C319	C-ORGANIC	120uF, 20%, 6.3V, WT, TP, 10.3x10.3x10.3mm, 9
2409-001029	C348	C-ORGANIC	120uF, 20%, 6.3V, WT, TP, 10.3x10.3x10.3mm, 9
2409-001029	C428	C-ORGANIC	120uF, 20%, 6.3V, WT, TP, 10.3x10.3x10.3mm, 9
2409-001035	C201	C-ORGANIC	10uF, 20%, 10V, LZ, TP, 5.4x4.3x4.3mm, 1
2409-001035	C207	C-ORGANIC	10uF, 20%, 10V, LZ, TP, 5.4x4.3x4.3mm, 1
2409-001035	C248	C-ORGANIC	10uF, 20%, 10V, LZ, TP, 5.4x4.3x4.3mm, 1
2409-001035	C401	C-ORGANIC	10uF, 20%, 10V, LZ, TP, 5.4x4.3x4.3mm, 1
2409-001035	C402	C-ORGANIC	10uF, 20%, 10V, LZ, TP, 5.4x4.3x4.3mm, 1
2409-001035	C667	C-ORGANIC	10uF, 20%, 10V, LZ, TP, 5.4x4.3x4.3mm, 1
2409-001035	C841	C-ORGANIC	10uF, 20%, 10V, LZ, TP, 5.4x4.3x4.3mm, 1
2409-001035	C937	C-ORGANIC	10uF, 20%, 10V, LZ, TP, 5.4x4.3x4.3mm, 1
2409-001035	C981	C-ORGANIC	10uF, 20%, 10V, LZ, TP, 5.4x4.3x4.3mm, 1
2409-001035	C992	C-ORGANIC	10uF, 20%, 10V, LZ, TP, 5.4x4.3x4.3mm, 1
2409-001065	C1	C-ORGANIC	82UF, 20%, 16V, WT, TP, 8X6.9MM, -
2409-001065	C302	C-ORGANIC	82UF, 20%, 16V, WT, TP, 8X6.9MM, -
2409-001065	C923	C-ORGANIC	82UF, 20%, 16V, WT, TP, 8X6.9MM, -
2409-001065	C924	C-ORGANIC	82UF, 20%, 16V, WT, TP, 8X6.9MM, -
2409-001065	C925	C-ORGANIC	82UF, 20%, 16V, WT, TP, 8X6.9MM, -
2409-001065	C926	C-ORGANIC	82UF, 20%, 16V, WT, TP, 8X6.9MM, -
2409-001065	C927	C-ORGANIC	82UF, 20%, 16V, WT, TP, 8X6.9MM, -
2409-001065	C952	C-ORGANIC	82UF, 20%, 16V, WT, TP, 8X6.9MM, -
2409-001065	C965	C-ORGANIC	82UF, 20%, 16V, WT, TP, 8X6.9MM, -
2409-001065	C973	C-ORGANIC	82UF, 20%, 16V, WT, TP, 8X6.9MM, -
2409-001065	C991	C-ORGANIC	82UF, 20%, 16V, WT, TP, 8X6.9MM, -
2503-001018	CA201	C-NETWORK	15PFX4, 10%, 50V, -
2503-001018	CA202	C-NETWORK	15PFX4, 10%, 50V, -
2503-001018	CA203	C-NETWORK	15PFX4, 10%, 50V, -
2503-001018	CA204	C-NETWORK	15PFX4, 10%, 50V, -
2503-001018	CA205	C-NETWORK	15PFX4, 10%, 50V, -
2503-001018	CA206	C-NETWORK	15PFX4, 10%, 50V, -
2503-001018	CA207	C-NETWORK	15PFX4, 10%, 50V, -
2503-001018	CA208	C-NETWORK	15PFX4, 10%, 50V, -
2503-001018	CA209	C-NETWORK	15PFX4, 10%, 50V, -
2503-001018	CA210	C-NETWORK	15PFX4, 10%, 50V, -
2503-001018	CA211	C-NETWORK	15PFX4, 10%, 50V, -
2503-001018	CA212	C-NETWORK	15PFX4, 10%, 50V, -
2503-001018	CA401	C-NETWORK	15PFX4, 10%, 50V, -
2503-001018	CA402	C-NETWORK	15PFX4, 10%, 50V, -
2503-001018	CA403	C-NETWORK	15PFX4, 10%, 50V, -
2503-001018	CA404	C-NETWORK	15PFX4, 10%, 50V, -
2503-001018	CA801	C-NETWORK	15PFX4, 10%, 50V, -

2503-001018	CA802	C-NETWORK	15PFX4, 10%, 50V, -
2503-001018	CA803	C-NETWORK	15PFX4, 10%, 50V, -
2503-001018	CA804	C-NETWORK	15PFX4, 10%, 50V, -
2503-001018	CA805	C-NETWORK	15PFX4, 10%, 50V, -
2503-001018	CA806	C-NETWORK	15PFX4, 10%, 50V, -
2503-001018	CA807	C-NETWORK	15PFX4, 10%, 50V, -
2503-001018	CA808	C-NETWORK	15PFX4, 10%, 50V, -
2503-001018	CA809	C-NETWORK	15PFX4, 10%, 50V, -
2503-001018	CA810	C-NETWORK	15PFX4, 10%, 50V, -
2503-001018	CA811	C-NETWORK	15PFX4, 10%, 50V, -
2503-001018	CA812	C-NETWORK	15PFX4, 10%, 50V, -
2703-000398	L1	INDUCTOR-SMD	10uH, 10%, 3.2x2.5x2.2mm
2703-000398	L10	INDUCTOR-SMD	10uH, 10%, 3.2x2.5x2.2mm
2703-000398	L11	INDUCTOR-SMD	10uH, 10%, 3.2x2.5x2.2mm
2703-000398	L14	INDUCTOR-SMD	10uH, 10%, 3.2x2.5x2.2mm
2703-000398	L16	INDUCTOR-SMD	10uH, 10%, 3.2x2.5x2.2mm
2703-000398	L17	INDUCTOR-SMD	10uH, 10%, 3.2x2.5x2.2mm
2703-000398	L2	INDUCTOR-SMD	10uH, 10%, 3.2x2.5x2.2mm
2703-000398	L3	INDUCTOR-SMD	10uH, 10%, 3.2x2.5x2.2mm
2703-000398	L4	INDUCTOR-SMD	10uH, 10%, 3.2x2.5x2.2mm
2703-000398	L507	INDUCTOR-SMD	10uH, 10%, 3.2x2.5x2.2mm
2703-000398	L508	INDUCTOR-SMD	10uH, 10%, 3.2x2.5x2.2mm
2703-000398	L6	INDUCTOR-SMD	10uH, 10%, 3.2x2.5x2.2mm
2703-000398	L9	INDUCTOR-SMD	10uH, 10%, 3.2x2.5x2.2mm
2703-001334	BD1	INDUCTOR-SMD	1.5uH, 10%, 2x1.25x0.85mm
2703-001334	BD2	INDUCTOR-SMD	1.5uH, 10%, 2x1.25x0.85mm
2703-001334	BD3	INDUCTOR-SMD	1.5uH, 10%, 2x1.25x0.85mm
2703-001334	BD4	INDUCTOR-SMD	1.5uH, 10%, 2x1.25x0.85mm
2703-001334	L101	INDUCTOR-SMD	1.5uH, 10%, 2x1.25x0.85mm
2703-001334	L204	INDUCTOR-SMD	1.5uH, 10%, 2x1.25x0.85mm
2703-001334	L401	INDUCTOR-SMD	1.5uH, 10%, 2x1.25x0.85mm
2703-001778	L12	INDUCTOR-SMD	3.3UH, 20%, 3.2X2.5X2.2MM
2703-001778	L301	INDUCTOR-SMD	3.3UH, 20%, 3.2X2.5X2.2MM
2703-001778	L302	INDUCTOR-SMD	3.3UH, 20%, 3.2X2.5X2.2MM
2703-001778	L501	INDUCTOR-SMD	3.3UH, 20%, 3.2X2.5X2.2MM
2703-001778	L506	INDUCTOR-SMD	3.3UH, 20%, 3.2X2.5X2.2MM
2703-001778	L701	INDUCTOR-SMD	3.3UH, 20%, 3.2X2.5X2.2MM
2703-001778	L702	INDUCTOR-SMD	3.3UH, 20%, 3.2X2.5X2.2MM
2801-003667	X101	CRYSTAL-SMD	14.3182MHZ, 50PPM, 28-AAN, 16, 500HM, TP
2801-003755	X1	CRYSTAL-SMD	20MHZ, 30PPM, 28-AAN, 20PF, 500HM, TP
2801-003843	X501	CRYSTAL-SMD	18.432MHz, 30ppm, 28-AAN, 20pF, 50ohm, TP
2801-004004	X301	CRYSTAL-SMD	20.25MHz, 20ppm, 28-AAN, 13pF, 25ohm, TP
2804-001521	X701	OSCILLATOR-CLOCK	27MHZ, 50PPM, HCMOS, TP, 3.3V, 25MA
2901-001114	FT101	FILTER-EMI SMD	25VDC, 2.0ADC, -, 100nF, 3.2x1.6x1
2901-001114	FT102	FILTER-EMI SMD	25VDC, 2.0ADC, -, 100nF, 3.2x1.6x1
2901-001114	FT103	FILTER-EMI SMD	25VDC, 2.0ADC, -, 100nF, 3.2x1.6x1
2901-001114	FT104	FILTER-EMI SMD	25VDC, 2.0ADC, -, 100nF, 3.2x1.6x1

2901-001114	FT105	FILTER-EMI SMD	25VDC, 2.0ADC, -, 100nF, 3.2x1.6x1
2901-001114	FT106	FILTER-EMI SMD	25VDC, 2.0ADC, -, 100nF, 3.2x1.6x1
2901-001114	FT108	FILTER-EMI SMD	25VDC, 2.0ADC, -, 100nF, 3.2x1.6x1
2901-001114	FT109	FILTER-EMI SMD	25VDC, 2.0ADC, -, 100nF, 3.2x1.6x1
2901-001114	FT110	FILTER-EMI SMD	25VDC, 2.0ADC, -, 100nF, 3.2x1.6x1
2901-001114	FT201	FILTER-EMI SMD	25VDC, 2.0ADC, -, 100nF, 3.2x1.6x1
2901-001114	FT202	FILTER-EMI SMD	25VDC, 2.0ADC, -, 100nF, 3.2x1.6x1
2901-001114	FT203	FILTER-EMI SMD	25VDC, 2.0ADC, -, 100nF, 3.2x1.6x1
2901-001114	FT204	FILTER-EMI SMD	25VDC, 2.0ADC, -, 100nF, 3.2x1.6x1
2901-001114	FT205	FILTER-EMI SMD	25VDC, 2.0ADC, -, 100nF, 3.2x1.6x1
2901-001114	FT206	FILTER-EMI SMD	25VDC, 2.0ADC, -, 100nF, 3.2x1.6x1
2901-001114	FT207	FILTER-EMI SMD	25VDC, 2.0ADC, -, 100nF, 3.2x1.6x1
2901-001114	FT209	FILTER-EMI SMD	25VDC, 2.0ADC, -, 100nF, 3.2x1.6x1
2901-001114	FT301	FILTER-EMI SMD	25VDC, 2.0ADC, -, 100nF, 3.2x1.6x1
2901-001114	FT302	FILTER-EMI SMD	25VDC, 2.0ADC, -, 100nF, 3.2x1.6x1
2901-001114	FT401	FILTER-EMI SMD	25VDC, 2.0ADC, -, 100nF, 3.2x1.6x1
2901-001114	FT402	FILTER-EMI SMD	25VDC, 2.0ADC, -, 100nF, 3.2x1.6x1
2901-001114	FT403	FILTER-EMI SMD	25VDC, 2.0ADC, -, 100nF, 3.2x1.6x1
2901-001114	FT404	FILTER-EMI SMD	25VDC, 2.0ADC, -, 100nF, 3.2x1.6x1
2901-001114	FT405	FILTER-EMI SMD	25VDC, 2.0ADC, -, 100nF, 3.2x1.6x1
2901-001114	FT601	FILTER-EMI SMD	25VDC, 2.0ADC, -, 100nF, 3.2x1.6x1
2901-001114	FT602	FILTER-EMI SMD	25VDC, 2.0ADC, -, 100nF, 3.2x1.6x1
2901-001114	FT603	FILTER-EMI SMD	25VDC, 2.0ADC, -, 100nF, 3.2x1.6x1
2901-001114	FT604	FILTER-EMI SMD	25VDC, 2.0ADC, -, 100nF, 3.2x1.6x1
2901-001114	FT605	FILTER-EMI SMD	25VDC, 2.0ADC, -, 100nF, 3.2x1.6x1
2901-001114	FT606	FILTER-EMI SMD	25VDC, 2.0ADC, -, 100nF, 3.2x1.6x1
2901-001114	FT607	FILTER-EMI SMD	25VDC, 2.0ADC, -, 100nF, 3.2x1.6x1
2901-001114	FT608	FILTER-EMI SMD	25VDC, 2.0ADC, -, 100nF, 3.2x1.6x1
2901-001114	FT609	FILTER-EMI SMD	25VDC, 2.0ADC, -, 100nF, 3.2x1.6x1
2901-001114	FT701	FILTER-EMI SMD	25VDC, 2.0ADC, -, 100nF, 3.2x1.6x1
2901-001114	FT702	FILTER-EMI SMD	25VDC, 2.0ADC, -, 100nF, 3.2x1.6x1
2901-001114	FT703	FILTER-EMI SMD	25VDC, 2.0ADC, -, 100nF, 3.2x1.6x1
2901-001114	FT704	FILTER-EMI SMD	25VDC, 2.0ADC, -, 100nF, 3.2x1.6x1
2901-001114	FT705	FILTER-EMI SMD	25VDC, 2.0ADC, -, 100nF, 3.2x1.6x1
2901-001114	FT801	FILTER-EMI SMD	25VDC, 2.0ADC, -, 100nF, 3.2x1.6x1
2901-001114	FT802	FILTER-EMI SMD	25VDC, 2.0ADC, -, 100nF, 3.2x1.6x1
2901-001114	FT803	FILTER-EMI SMD	25VDC, 2.0ADC, -, 100nF, 3.2x1.6x1
2901-001114	FT804	FILTER-EMI SMD	25VDC, 2.0ADC, -, 100nF, 3.2x1.6x1
2901-001114	FT805	FILTER-EMI SMD	25VDC, 2.0ADC, -, 100nF, 3.2x1.6x1
2901-001114	FT806	FILTER-EMI SMD	25VDC, 2.0ADC, -, 100nF, 3.2x1.6x1
2901-001114	FT807	FILTER-EMI SMD	25VDC, 2.0ADC, -, 100nF, 3.2x1.6x1
2901-001114	FT808	FILTER-EMI SMD	25VDC, 2.0ADC, -, 100nF, 3.2x1.6x1
2909-001051	FT1	FILTER-LC	6MHz, 6MHz, 0.8dB, TP, 5dB/6MHz, 30dB/14.3MHz
2909-001051	FT2	FILTER-LC	6MHz, 6MHz, 0.8dB, TP, 5dB/6MHz, 30dB/14.3MHz
2909-001051	FT3	FILTER-LC	6MHz, 6MHz, 0.8dB, TP, 5dB/6MHz, 30dB/14.3MHz
3301-001145	BD501	CORE-FERRITE BEAD	AB, 4.5x1.6x1.6mm, -, -
3301-001145	BD905	CORE-FERRITE BEAD	AB, 4.5x1.6x1.6mm, -, -

SNA  
SNA

3301-001145	BD951	CORE-FERRITE BEAD	AB,4.5x1.6x1.6mm,-,-	SNA
3301-001145	BD952	CORE-FERRITE BEAD	AB,4.5x1.6x1.6mm,-,-	SNA
3301-001145	BD953	CORE-FERRITE BEAD	AB,4.5x1.6x1.6mm,-,-	SNA
3301-001145	BD954	CORE-FERRITE BEAD	AB,4.5x1.6x1.6mm,-,-	SNA
3301-001145	BD955	CORE-FERRITE BEAD	AB,4.5x1.6x1.6mm,-,-	SNA
3301-001145	BD956	CORE-FERRITE BEAD	AB,4.5x1.6x1.6mm,-,-	SNA
3301-001145	BD957	CORE-FERRITE BEAD	AB,4.5x1.6x1.6mm,-,-	SNA
3301-001145	BD958	CORE-FERRITE BEAD	AB,4.5x1.6x1.6mm,-,-	SNA
3301-001145	BD959	CORE-FERRITE BEAD	AB,4.5x1.6x1.6mm,-,-	SNA
3301-001145	BD960	CORE-FERRITE BEAD	AB,4.5x1.6x1.6mm,-,-	SNA
3301-001145	BD961	CORE-FERRITE BEAD	AB,4.5x1.6x1.6mm,-,-	SNA
3301-001145	BD962	CORE-FERRITE BEAD	AB,4.5x1.6x1.6mm,-,-	SNA
3301-001145	BD963	CORE-FERRITE BEAD	AB,4.5x1.6x1.6mm,-,-	SNA
3301-001145	BD964	CORE-FERRITE BEAD	AB,4.5x1.6x1.6mm,-,-	SNA
3301-001145	BD965	CORE-FERRITE BEAD	AB,4.5x1.6x1.6mm,-,-	SNA
3301-001145	BD966	CORE-FERRITE BEAD	AB,4.5x1.6x1.6mm,-,-	SNA
3301-001145	BD967	CORE-FERRITE BEAD	AB,4.5x1.6x1.6mm,-,-	SNA
3301-001145	BD968	CORE-FERRITE BEAD	AB,4.5x1.6x1.6mm,-,-	SNA
3301-001145	BD969	CORE-FERRITE BEAD	AB,4.5x1.6x1.6mm,-,-	SNA
3301-001145	BD970	CORE-FERRITE BEAD	AB,4.5x1.6x1.6mm,-,-	SNA
3301-001145	BD971	CORE-FERRITE BEAD	AB,4.5x1.6x1.6mm,-,-	SNA
3301-001145	BD972	CORE-FERRITE BEAD	AB,4.5x1.6x1.6mm,-,-	SNA
3301-001145	BD973	CORE-FERRITE BEAD	AB,4.5x1.6x1.6mm,-,-	SNA
3301-001145	BD974	CORE-FERRITE BEAD	AB,4.5x1.6x1.6mm,-,-	SNA
3301-001145	BD975	CORE-FERRITE BEAD	AB,4.5x1.6x1.6mm,-,-	SNA
3301-001145	BD976	CORE-FERRITE BEAD	AB,4.5x1.6x1.6mm,-,-	SNA
3301-001145	BD977	CORE-FERRITE BEAD	AB,4.5x1.6x1.6mm,-,-	SNA
3301-001145	FT706	CORE-FERRITE BEAD	AB,4.5x1.6x1.6mm,-,-	SNA
3301-001145	FT901	CORE-FERRITE BEAD	AB,4.5x1.6x1.6mm,-,-	SNA
3301-001176	BD201	CORE-FERRITE BEAD	AB,2x1.25x0.9mm,-,-	
3301-001176	BD202	CORE-FERRITE BEAD	AB,2x1.25x0.9mm,-,-	
3301-001176	BD203	CORE-FERRITE BEAD	AB,2x1.25x0.9mm,-,-	
3301-001176	BD204	CORE-FERRITE BEAD	AB,2x1.25x0.9mm,-,-	
3301-001176	BD301	CORE-FERRITE BEAD	AB,2x1.25x0.9mm,-,-	
3301-001176	BD302	CORE-FERRITE BEAD	AB,2x1.25x0.9mm,-,-	
3301-001176	BD303	CORE-FERRITE BEAD	AB,2x1.25x0.9mm,-,-	
3301-001176	BD304	CORE-FERRITE BEAD	AB,2x1.25x0.9mm,-,-	
3301-001176	BD305	CORE-FERRITE BEAD	AB,2x1.25x0.9mm,-,-	
3301-001176	BD401	CORE-FERRITE BEAD	AB,2x1.25x0.9mm,-,-	
3301-001176	BD402	CORE-FERRITE BEAD	AB,2x1.25x0.9mm,-,-	
3301-001176	BD403	CORE-FERRITE BEAD	AB,2x1.25x0.9mm,-,-	
3301-001176	BD404	CORE-FERRITE BEAD	AB,2x1.25x0.9mm,-,-	
3301-001176	BD405	CORE-FERRITE BEAD	AB,2x1.25x0.9mm,-,-	
3301-001176	BD406	CORE-FERRITE BEAD	AB,2x1.25x0.9mm,-,-	
3704-000249	IC105_SOCKET	SOCKET-IC	32P,PLCC,SN,1.27mm	
3708-001775	CN905	CONNECTOR-FPC/FFC/PIC	30P,0.5MM,SMD-A,SN	
3708-001776	CN904	CONNECTOR-FPC/FFC/PIC	34P,0.5MM,SMD-A,SN	



3711-000556	CN955	CONNECTOR-HEADER	BOX, 12P, 1R, 1.25mm, SMD-A, SN	SNA
3711-001141	CN901	CONNECTOR-HEADER	BOX, 9P, 1R, 1.25mm, SMD-S, SN	SNA
3711-001141	CN903	CONNECTOR-HEADER	BOX, 9P, 1R, 1.25mm, SMD-S, SN	SNA
3711-002046	CN301	CONNECTOR-HEADER	3WALL, 12P, 1R, 1.25mm, SMD-S, SN	SNA
3711-002049	CN101	CONNECTOR-HEADER	BOX, 6P, 1R, 1.25mm, SMD-A, SN	SNA
3711-002050	CN601	CONNECTOR-HEADER	BOX, 10P, 1R, 1.25mm, SMD-A, SN	SNA
3711-003161	CN3	CONNECTOR-HEADER	BOX, 20P, 1R, 1.25mm, ANGLE, SN	
3711-004070	CN1	CONNECTOR-HEADER	BOX, 30P, 1R, 1.25mm, SMD-A, SN	SNA
3711-004070	CN201	CONNECTOR-HEADER	BOX, 30P, 1R, 1.25mm, SMD-A, SN	SNA
3711-005085	CN951	CONNECTOR-HEADER	BOX, 10P, 1R, 2.0MM, SMD-A, SN, BEG	
3711-005085	CN952	CONNECTOR-HEADER	BOX, 10P, 1R, 2.0MM, SMD-A, SN, BEG	
3711-005085	CN953	CONNECTOR-HEADER	BOX, 10P, 1R, 2.0MM, SMD-A, SN, BEG	
3711-005085	CN954	CONNECTOR-HEADER	BOX, 10P, 1R, 2.0MM, SMD-A, SN, BEG	
BN27-00002A	CL950	COIL-CHOKE (SMD)	47uH, 47uH, 20%, 12*12*8mm, 22.5Ts, SMD, -, -, 0.75ohm, -, -, -, TP	
BN27-00002A	CL953	COIL-CHOKE (SMD)	47uH, 47uH, 20%, 12*12*8mm, 22.5Ts, SMD, -, -, 0.75ohm, -, -, -, TP	
BN27-00002A	CL954	COIL-CHOKE (SMD)	47uH, 47uH, 20%, 12*12*8mm, 22.5Ts, SMD, -, -, 0.75ohm, -, -, -, TP	
BN27-00002A	CL955	COIL-CHOKE (SMD)	47uH, 47uH, 20%, 12*12*8mm, 22.5Ts, SMD, -, -, 0.75ohm, -, -, -, TP	
BN27-00002A	L902	COIL-CHOKE (SMD)	47uH, 47uH, 20%, 12*12*8mm, 22.5Ts, SMD, -, -, 0.75ohm, -, -, -, TP	
BN27-00007A	L502	COIL CHOKE-SMD	DHB0504-100, RB15/17NS, 10UH, ±10%, -, 0.080HM, 1.5A, DR5.8X4.5, 20.5TS, 6.0X5.2X4.5MM, -	
BN27-00007A	L503	COIL CHOKE-SMD	DHB0504-100, RB15/17NS, 10UH, ±10%, -, 0.080HM, 1.5A, DR5.8X4.5, 20.5TS, 6.0X5.2X4.5MM, -	
BN27-00007A	L504	COIL CHOKE-SMD	DHB0504-100, RB15/17NS, 10UH, ±10%, -, 0.080HM, 1.5A, DR5.8X4.5, 20.5TS, 6.0X5.2X4.5MM, -	
BN27-00007A	L505	COIL CHOKE-SMD	DHB0504-100, RB15/17NS, 10UH, ±10%, -, 0.080HM, 1.5A, DR5.8X4.5, 20.5TS, 6.0X5.2X4.5MM, -	
BN27-00008A	CL951	COIL CHOKE-SMD	SMD12*12*8.5, GH15/17PS, 22.0UH, ±20%, -, 0.0450HM MAX., 3.0A, DR10X7/SMD12X6.7, 16.5TS	
BN27-00008A	CL952	COIL CHOKE-SMD	SMD12*12*8.5, GH15/17PS, 22.0UH, ±20%, -, 0.0450HM MAX., 3.0A, DR10X7/SMD12X6.7, 16.5TS	
BN41-00227A	MP1.0	PCB MAIN	AL40U0, 6L, 1.6T, 210*330*1.6	SNA
BN94-00419A	-	ASSY PCB MISC-RTA PCB	AL29K0	SNA
0202-001222	C1S1	SOLDER-WIRE FLUX	RS-107, RS60-1.2AA, D1.2, SN60/PB40, -	SNA
BN73-00025A	C1S2	RUBBER CUSHION	AL29N0, CR, 10*15, 60, T4, BLACK, 3M #9448	SNA
BN97-00191A	-	ASSY SMD-RTA	AL29K0	SNA
1003-001538	IC202	IC-LCD CONTROLLER	S5D2542X, LQFP, 208P, 28X28MM, 1, -, TR, PLASTIC, 3.3V, 0T0+70C, -, -, -	
1105-001165	IC204	IC-DRAM	416S1020, 512Kx16BITx2, TSOP, 50P	
1105-001165	IC205	IC-DRAM	416S1020, 512Kx16BITx2, TSOP, 50P	
1105-001165	IC206	IC-DRAM	416S1020, 512Kx16BITx2, TSOP, 50P	
1203-002411	IC103	IC-POSIFIXED REG.	IRU1030-33CM, T0-263, 3P, -, PLASTIC, 3.267/3.333V, -, 0T0+150C, -, -, ST	
1203-002411	IC104	IC-POSIFIXED REG.	IRU1030-33CM, T0-263, 3P, -, PLASTIC, 3.267/3.333V, -, 0T0+150C, -, -, ST	
1203-002454	IC102	IC-VOLTAGE REGULATOR	FAN1117A, T0-252, 3P, 257MIL, PLASTIC, 1.764V/1.836V, -, 0T0+125C, 1A, 1.225/1.275V, TP	
1204-002052	IC101	IC-VIDEO PROCESS	S5D2540X, TQFP, 128P, 14X14MM, PLASTIC, 3.6V, -, 0T0+70C, TR, AC2E PROCESSOR	
1205-001740	IC201	IC-TRANSMITTER	DS90C385, TSSOP, 56P, 240MIL, PLASTIC, 4V, 1.63W, -10 TO +70C, ST, FPD LINK-85MHZ (LVDS)	
1205-001740	IC203	IC-TRANSMITTER	DS90C385, TSSOP, 56P, 240MIL, PLASTIC, 4V, 1.63W, -10 TO +70C, ST, FPD LINK-85MHZ (LVDS)	
2007-000070	R102	R-CHIP	0ohm, 5%, 1/16W, DA, TP, 1608	
2007-000070	R103	R-CHIP	0ohm, 5%, 1/16W, DA, TP, 1608	
2007-000070	R104	R-CHIP	0ohm, 5%, 1/16W, DA, TP, 1608	
2007-000070	R105	R-CHIP	0ohm, 5%, 1/16W, DA, TP, 1608	
2007-000070	R112	R-CHIP	0ohm, 5%, 1/16W, DA, TP, 1608	
2007-000070	R211	R-CHIP	0ohm, 5%, 1/16W, DA, TP, 1608	
2007-000070	R212	R-CHIP	0ohm, 5%, 1/16W, DA, TP, 1608	
2007-000070	R213	R-CHIP	0ohm, 5%, 1/16W, DA, TP, 1608	





2007-000071	R204	R-CHIP	22ohm,5%,1/16W,DA,TP,1608
2007-000071	R205	R-CHIP	22ohm,5%,1/16W,DA,TP,1608
2007-000071	R206	R-CHIP	22ohm,5%,1/16W,DA,TP,1608
2007-000071	R207	R-CHIP	22ohm,5%,1/16W,DA,TP,1608
2007-000071	R210	R-CHIP	22ohm,5%,1/16W,DA,TP,1608
2007-000074	R101	R-CHIP	100ohm,5%,1/16W,DA,TP,1608
2007-000074	R106	R-CHIP	100ohm,5%,1/16W,DA,TP,1608
2007-000074	R108	R-CHIP	100ohm,5%,1/16W,DA,TP,1608
2007-000074	R109	R-CHIP	100ohm,5%,1/16W,DA,TP,1608
2007-000074	R110	R-CHIP	100ohm,5%,1/16W,DA,TP,1608
2007-000074	R111	R-CHIP	100ohm,5%,1/16W,DA,TP,1608
2007-000082	R201	R-CHIP	3.3Kohm,5%,1/16W,DA,TP,1608
2007-000082	R202	R-CHIP	3.3Kohm,5%,1/16W,DA,TP,1608
2007-000082	R208	R-CHIP	3.3Kohm,5%,1/16W,DA,TP,1608
2007-000082	R209	R-CHIP	3.3Kohm,5%,1/16W,DA,TP,1608
2007-000084	R107	R-CHIP	4.7Kohm,5%,1/16W,DA,TP,1608
2007-000084	R113	R-CHIP	4.7Kohm,5%,1/16W,DA,TP,1608
2007-000084	R114	R-CHIP	4.7Kohm,5%,1/16W,DA,TP,1608
2011-000002	RA101	R-NETWORK	22ohm,5%,63mW,L,CHIP,8P,TP
2011-000002	RA102	R-NETWORK	22ohm,5%,63mW,L,CHIP,8P,TP
2011-000002	RA103	R-NETWORK	22ohm,5%,63mW,L,CHIP,8P,TP
2011-000002	RA104	R-NETWORK	22ohm,5%,63mW,L,CHIP,8P,TP
2011-000002	RA105	R-NETWORK	22ohm,5%,63mW,L,CHIP,8P,TP
2011-000002	RA106	R-NETWORK	22ohm,5%,63mW,L,CHIP,8P,TP
2011-000002	RA107	R-NETWORK	22ohm,5%,63mW,L,CHIP,8P,TP
2011-000002	RA108	R-NETWORK	22ohm,5%,63mW,L,CHIP,8P,TP
2011-000002	RA109	R-NETWORK	22ohm,5%,63mW,L,CHIP,8P,TP
2011-000002	RA110	R-NETWORK	22ohm,5%,63mW,L,CHIP,8P,TP
2011-000002	RA111	R-NETWORK	22ohm,5%,63mW,L,CHIP,8P,TP
2011-000002	RA112	R-NETWORK	22ohm,5%,63mW,L,CHIP,8P,TP
2011-000002	RA113	R-NETWORK	22ohm,5%,63mW,L,CHIP,8P,TP
2011-000002	RA114	R-NETWORK	22ohm,5%,63mW,L,CHIP,8P,TP
2011-000002	RA115	R-NETWORK	22ohm,5%,63mW,L,CHIP,8P,TP
2011-000002	RA116	R-NETWORK	22ohm,5%,63mW,L,CHIP,8P,TP
2011-000002	RA117	R-NETWORK	22ohm,5%,63mW,L,CHIP,8P,TP
2011-000002	RA118	R-NETWORK	22ohm,5%,63mW,L,CHIP,8P,TP
2011-000002	RA119	R-NETWORK	22ohm,5%,63mW,L,CHIP,8P,TP
2011-000002	RA120	R-NETWORK	22ohm,5%,63mW,L,CHIP,8P,TP
2011-000002	RA121	R-NETWORK	22ohm,5%,63mW,L,CHIP,8P,TP
2011-000002	RA122	R-NETWORK	22ohm,5%,63mW,L,CHIP,8P,TP
2011-000002	RA123	R-NETWORK	22ohm,5%,63mW,L,CHIP,8P,TP
2011-000002	RA124	R-NETWORK	22ohm,5%,63mW,L,CHIP,8P,TP
2011-000002	RA201	R-NETWORK	22ohm,5%,63mW,L,CHIP,8P,TP
2011-000002	RA202	R-NETWORK	22ohm,5%,63mW,L,CHIP,8P,TP
2011-000002	RA203	R-NETWORK	22ohm,5%,63mW,L,CHIP,8P,TP
2011-000002	RA204	R-NETWORK	22ohm,5%,63mW,L,CHIP,8P,TP
2011-000002	RA205	R-NETWORK	22ohm,5%,63mW,L,CHIP,8P,TP



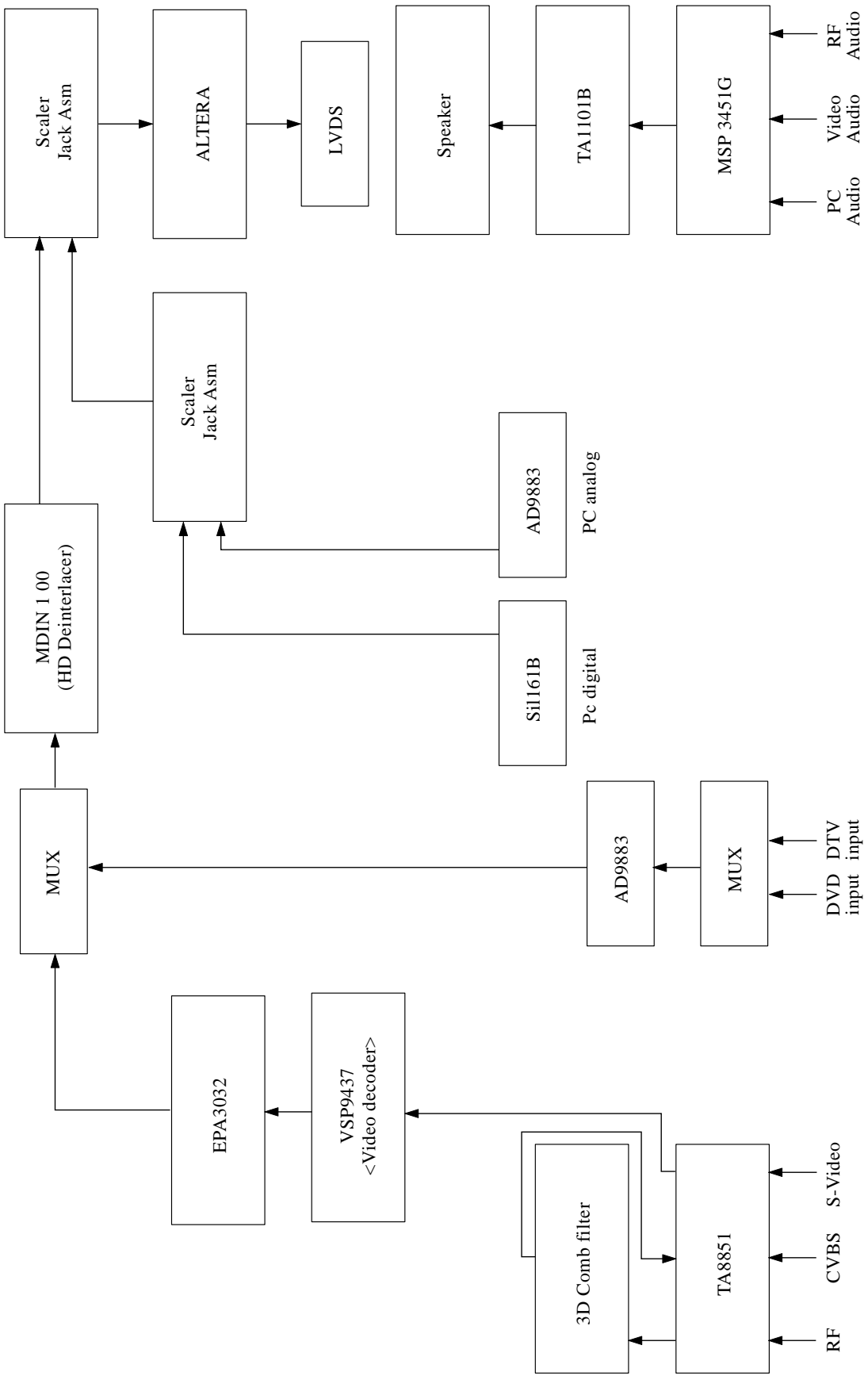
2203-000189	C236	C-CERAMIC,CHIP	100nF,+80-20%,25V,Y5V,TP,1608,	
2203-000189	C237	C-CERAMIC,CHIP	100nF,+80-20%,25V,Y5V,TP,1608,	
2203-000189	C238	C-CERAMIC,CHIP	100nF,+80-20%,25V,Y5V,TP,1608,	
2203-000189	C239	C-CERAMIC,CHIP	100nF,+80-20%,25V,Y5V,TP,1608,	
2203-000189	C240	C-CERAMIC,CHIP	100nF,+80-20%,25V,Y5V,TP,1608,	
2203-000189	C241	C-CERAMIC,CHIP	100nF,+80-20%,25V,Y5V,TP,1608,	
2203-000257	C101	C-CERAMIC,CHIP	10nF,10%,50V,X7R,TP,1608	
2203-000257	C102	C-CERAMIC,CHIP	10nF,10%,50V,X7R,TP,1608	
2203-000257	C103	C-CERAMIC,CHIP	10nF,10%,50V,X7R,TP,1608	
2203-000257	C104	C-CERAMIC,CHIP	10nF,10%,50V,X7R,TP,1608	
2203-000257	C105	C-CERAMIC,CHIP	10nF,10%,50V,X7R,TP,1608	
2203-000257	C106	C-CERAMIC,CHIP	10nF,10%,50V,X7R,TP,1608	
2203-000257	C107	C-CERAMIC,CHIP	10nF,10%,50V,X7R,TP,1608	
2203-000257	C108	C-CERAMIC,CHIP	10nF,10%,50V,X7R,TP,1608	
2203-000257	C113	C-CERAMIC,CHIP	10nF,10%,50V,X7R,TP,1608	
2203-000257	C115	C-CERAMIC,CHIP	10nF,10%,50V,X7R,TP,1608	
2203-000440	C217	C-CERAMIC,CHIP	1nF,10%,50V,X7R,TP,1608,-	
2203-000440	C219	C-CERAMIC,CHIP	1nF,10%,50V,X7R,TP,1608,-	
2203-000440	C221	C-CERAMIC,CHIP	1nF,10%,50V,X7R,TP,1608,-	
2203-000440	C223	C-CERAMIC,CHIP	1nF,10%,50V,X7R,TP,1608,-	
2203-000440	C224	C-CERAMIC,CHIP	1nF,10%,50V,X7R,TP,1608,-	
2203-000440	C225	C-CERAMIC,CHIP	1nF,10%,50V,X7R,TP,1608,-	
2203-000783	C109	C-CERAMIC,CHIP	0.33nF,5%,50V,NPO,TP,1608	
2203-000783	C222	C-CERAMIC,CHIP	0.33nF,5%,50V,NPO,TP,1608	
2402-000176	C111	C-AL,SMD	10uF,20%,16V,GP,TP,4.3x4.3x5.4	
2402-000176	C216	C-AL,SMD	10uF,20%,16V,GP,TP,4.3x4.3x5.4	
2402-000176	C218	C-AL,SMD	10uF,20%,16V,GP,TP,4.3x4.3x5.4	
2402-000176	C220	C-AL,SMD	10uF,20%,16V,GP,TP,4.3x4.3x5.4	
2402-001044	C110	C-AL,SMD	100UF,20%,25V,GP,TP,8.3X8.3X6.3MM	
2402-001044	C112	C-AL,SMD	100UF,20%,25V,GP,TP,8.3X8.3X6.3MM	
2402-001044	C114	C-AL,SMD	100UF,20%,25V,GP,TP,8.3X8.3X6.3MM	
2402-001044	C117	C-AL,SMD	100UF,20%,25V,GP,TP,8.3X8.3X6.3MM	
2402-001044	C119	C-AL,SMD	100UF,20%,25V,GP,TP,8.3X8.3X6.3MM	
2402-001044	C226	C-AL,SMD	100UF,20%,25V,GP,TP,8.3X8.3X6.3MM	
2703-001778	L101	INDUCTOR-SMD	3.3UH,20%,3.2X2.5X2.2MM	
3301-000314	BD101	CORE-FERRITE BEAD	AB,120ohm,1.6x0.8x0.8mm,150mA,TP,FERRITE,0.2ohm	SNA
3301-000314	BD102	CORE-FERRITE BEAD	AB,120ohm,1.6x0.8x0.8mm,150mA,TP,FERRITE,0.2ohm	SNA
3301-000314	BD103	CORE-FERRITE BEAD	AB,120ohm,1.6x0.8x0.8mm,150mA,TP,FERRITE,0.2ohm	SNA
3301-000314	BD104	CORE-FERRITE BEAD	AB,120ohm,1.6x0.8x0.8mm,150mA,TP,FERRITE,0.2ohm	SNA
3301-000314	BD201	CORE-FERRITE BEAD	AB,120ohm,1.6x0.8x0.8mm,150mA,TP,FERRITE,0.2ohm	SNA
3301-000314	BD202	CORE-FERRITE BEAD	AB,120ohm,1.6x0.8x0.8mm,150mA,TP,FERRITE,0.2ohm	SNA
3301-000314	BD203	CORE-FERRITE BEAD	AB,120ohm,1.6x0.8x0.8mm,150mA,TP,FERRITE,0.2ohm	SNA
3301-000314	BD207	CORE-FERRITE BEAD	AB,120ohm,1.6x0.8x0.8mm,150mA,TP,FERRITE,0.2ohm	SNA
3301-000314	BD208	CORE-FERRITE BEAD	AB,120ohm,1.6x0.8x0.8mm,150mA,TP,FERRITE,0.2ohm	SNA
3301-001145	BD105	CORE-FERRITE BEAD	AB,4.5x1.6x1.6mm,-,-	SNA
3301-001145	BD106	CORE-FERRITE BEAD	AB,4.5x1.6x1.6mm,-,-	SNA
3301-001163	BD204	CORE-FERRITE BEAD	AB,80ohm,2x1.25x1mm,300mA,TP,FERRITE,0.08ohm	SNA

3301-001163	BD205	CORE-FERRITE BEAD	AB,80ohm,2x1.25x1mm,300mA,TP,FERRITE,0.08ohm	
3301-001163	BD206	CORE-FERRITE BEAD	AB,80ohm,2x1.25x1mm,300mA,TP,FERRITE,0.08ohm	
3708-001775	CN102	CONNECTOR-FPC/FFC/PIC	30P,0.5MM,SMD-A,SN	
3708-001776	CN101	CONNECTOR-FPC/FFC/PIC	34P,0.5MM,SMD-A,SN	
3711-004070	CN201	CONNECTOR-HEADER	BOX,30P,1R,1.25mm,SMD-A,SN	SNA
BN41-00224A	MP1.0	PCB SUB	C_RTA,FR4,6L,1.6T,80X210X1.6MM	
BN91-00554A	-	ASSY SHIELD	AL29U0,U.S.A	SNA
3809-001395	CIS	FPC CABLE-FLAT	-,-,40MM,64P,0.5MM,-	
6001-000116	SH/PCB+PANEL	SCREW-MACHINE	BH,+,M3,L12,NI PLT,SM10C,-	
6003-000269	PCB+PAN	SCREW-TAPTITE	BH,+,S,M3,L6,ZPC(YEL),SWRCH18A	SNA
6003-000269	RTA/PCB+PAN	SCREW-TAPTITE	BH,+,S,M3,L6,ZPC(YEL),SWRCH18A	SNA
6003-001136	SH/PCB+P/BRKT	SCREW-TAPTITE	BH,+,B,M4,L8,ZPC(YEL),SWRCH18A	SNA
6003-001188	AUD/PCB+C/F	SCREW-TAPTITE	BH,+,B,M4,L10,YEL,SWRCH18A	SNA
6003-001188	TUN/PCB+C/F	SCREW-TAPTITE	BH,+,B,M4,L10,YEL,SWRCH18A	SNA
6003-001310	C/F+BK/SUP	SCREW-TAPTITE	BH,+,B,M4,L16,ZPC(BLK),SWRCH18A	SNA
6046-001009	CIS	STAND OFF	M3,L3.5,NI PLT,SUM24L,#4-40	
6502-001083	CIS	CABLE CLAMP	DAMC-25,-,T10,NYLON 66,NTR	SNA
BH73-60304B	CIS	RUBBER-SUPPORT	DP17LT,NEOPRENE 94,GRAY,-,-,-	SNA
BN39-00259D	CIS	LEAD CONNECTOR	AL29J0,UL20276#30,UL/CSA,30P,#30,12507HS-30,FI-X30H,BK,330MM,20276#30,CORE	
BN39-00268C	CIS	LEAD CONNECTOR-ASSY	AL29N0,UL2651#28,UL/CSA,10P,#28,DF3-10S-2C,DF3-10S-2C,BK,60MM,2651#28	
BN39-00269A	CIS	LEAD CONNECTOR-ASSY	AL29N0,UL2651#28,UL/CSA,9P,#28,12505HS-09,12505HS-09,BK,60MM,2651#28	
BN59-00328A	CIS	BOARD-TUNER ASS'Y	,APOLLO 29" DOMESTIC,TUNER BOARD ASS'Y	SNA
BN59-00329A	CIS	BOARD-AUDIO ASS'Y	,APOLLO 29" DOMESTIC,AUDIO BOARD ASS'Y	SNA
BN63-00450A	CIS	GASKET	29" 40"APOLLO,CONDUCTIVE FABLIC,5MM,10MM,310MM,GRAY,71TSSK-10-RS5-310-13,71TSSK-	SNA
BN63-00455A	CIS	GASKET	40" APOLLO,CONDUCTIVE FABLIC,0.13MM,60MM,100MM,GRAY,DK-K102-60-100,DK-K102-60-10	SNA
BN63-00486A	CIS	GASKET	APOL0029",CONDUCTIVE FABRIC,6MM,30MM,110MM,GRAY,71TSSK30-6-110-13,71TSSK30-6-110	SNA
BN63-00487A	CIS	GASKET	APOL0029",CONDUCTIVE FABRIC,5MM,55MM,110MM,GRAY,71TSSK55-5-110-13-S,71TSSK55-5-1	SNA
BN63-00488A	CIS	GASKET	APOL0029",CONDUCTIVE FABRIC,0.13MM,50MM,110MM,GRAY,DK-K102-50-110-S,CONDUCTIVE T	SNA
BN70-00192A	CIS	BRACKET-SUPPORT	RB15AS,SECC,0.8	SNA
BN73-00024A	CIS	SILICON/RUBBER-GAP PAD	AL29N0,SILICON,60*20 T3.5,BERGQUIST	SNA
BN73-00037A	CIS	SILICON/RUBBER-GAP PAD	AL40K0,SILICON,45*45 T3.5,BERGQUIST	SNA
BN96-00055A	CIS	ASSY MISC P-BRAKECT SIDE SPK	APOLLO29,SECC T1.6	SNA
6003-001337	CIS	SCREW-TAPTITE	CH,+,S,M4,L6,ZPC(YEL),SWRCH18A,-	SNA
BN61-00095A	CIS	BRACKET-SIDE L	APOLLO29,SECC ,T1.6	SNA
BN61-00096A	CIS	BRACKET-SUPPORT L	APOLLO29,SECC T1.6 ,T1.6	SNA
BN61-00131A	CIS	BRACKET-SIDE R	APOLLO29,SECC ,T1.6	SNA
BN61-00132A	CIS	BRACKET-SUPPORT R	APOLLO29,SECC T1.6 ,T1.6	SNA
BN96-00199A	CIS	ASSY MISC P-SHIELD COVER	AL29N0,SECC TO.5	
BN63-00408A	CIS	SHIELD-PCB-L	AL29N0,SECC,TO.5	SNA
BN63-00445A	CIS	GASKET	29" APOLLO,CONDUCTIVE FABLIC,5MM,10MM,225MM,GRAY,71TSSK-10-RS5-225-13,71TSSK-10-	SNA
BN63-00446A	CIS	GASKET	29" APOLLO,CONDUCTIVE FABLIC,18MM,25MM,225MM,GRAY,71TSSK-25-18-225-13,71TSSK-25-	SNA
BN63-00447A	CIS	GASKET	29" APOLLO,CONDUCTIVE FABLIC,18MM,25MM,30MM,GRAY,71TSSK-25-18-30-13,71TSSK-25-18	SNA
BN63-00448A	CIS	GASKET	29" APOLLO,CONDUCTIVE FABLIC,18MM,25MM,270MM,GRAY,71TSSK-25-18-270-13,71TSSK-25-	SNA
BN63-00451A	CIS	GASKET	29" 40"APOLLO,CONDUCTIVE FABLIC,5MM,10MM,290MM,GRAY,71TSSK-10-RS5-290-13,71TSSK-	SNA
BN63-00452A	CIS	GASKET	29" APOLLO,CONDUCTIVE FABLIC,18MM,25MM,250MM,GRAY,71TSSK-25-18-250-13,71TSSK-25-	SNA
BN63-00485A	CIS	GASKET	APOLLO29",CONDUCTIVE FABRIC,13MM,26MM,510MM,GRAY,71TSSK26-13-510-13,71TSSK26-13-	SNA
BN96-00211A	CIS	ASSY MISC P-PANEL-STUD	APOLLO29,SECC TO.8 110*220,TAPE	SNA

BN92-00525A	-	ASSY P/MATERIAL	AL29U0,U.S.A	SNA
0203-001102	P/M	TAPE-OPP MASKING	OPP-2,TO.05,W100,L400M,CLR	SNA
BH69-00256C	P/M	PAD-PACKING-EDGE	MV940,B400,W200,L2030,-,-,YEL,-,-	SNA
BH69-30355F	CIS	BAG-PE/N	AL40A0,PE FOAM,0.5,320,210,NTR	SNA
BH69-30355F	P/M	BAG-PE/N	AL40A0,PE FOAM,0.5,320,210,NTR	SNA
BH69-30355J	P/M	BAG-PE	AL29A0,PE FOAM,0.5,800,850,NTR	SNA
BH69-30360A	P/M	BAG-AIR	HDPE,TO.2,W1000*L1800,N,-,ALL	SNA
BH69-40379A	P/M	PACKING-WRAP	LDPE,W500*TO.02,-,-	SNA
BN69-00131K	P/M	PALLET-PACKING	AL29N0,WOODEN,1350,900,120	SNA
BN69-00286A	P/M	CUSHION-SET-L/R	APOLLO29,EPS 50M	SNA
BN92-00573A	-	ASSY LABEL	AL40J0	SNA
BN68-00269B	LABEL	LABEL RATING	,TETRONE,TO.05,64,78,NO PRINT	SNA
BN92-00626V	-	ASSY ACCESSORY	LTM295WX/XAA	SNA
BN59-00313A	CIS	REMOCON	,TM63,APPOL0,48,G6671B,NTSC,EX	
2802-000194	-	RESONATOR-CERAMIC	8MHZ,1.0%,TP,8.5x4.5x5.0mm	
AA09-00275A	-	IC MICOM	Z86L8808SSC-R51PX,SOP,ST,SZTM-828A2	
BN96-00205V	CIS	ASSY ACCESSORY	LTM295WX/XAA	SNA
0203-000214	CIS	TAPE-OPP MASKING	OPP/W50/CLR,TO.05,W50,L400000,	SNA
4301-000121	CIS	BATTERY-MN	1.5V,-,AAA,10.5x44.5m,HOLDER	SNA
6003-001310	CIS	SCREW-TAPTITE	BH,+ ,B,M4,L16,ZPC(BLK),SWRCH18A	SNA
AA65-30101A	CIS	CLAMPER CORE-BACK	-,PE,VO,-,BLK,TOSHIBA	SNA
AA68-00371C	CIS	CARD WARRANTY-01	,SEA,W/P100(G),1 YEAR	SNA
BH39-00120A	CIS	CBF SIGNAL	-,2000MM,-,-,UL2851#28,-	
BH39-10339X	CIS	CBF POWER CORD	DET,SVT,125V/7A,BLK,1830,WALL(ST),MSP-33,MSC-30	
BH68-00261P	CIS	MANUAL-00	SEAREGISTRATION CARD,SEA,E,USA,MOJO120G,173,234	SNA
BH69-30348D	CIS	BAG-PE	LDPE,TO.05,W240*L356,Y,-,CMG73	SNA
BN39-00072A	CIS	CBF SIGNAL	DET,2000MM,24P/24P,IVORY,-,DVI-D(M) TO DVI-D(M)	
BN39-00310A	CIS	CBF SIGNAL	APOLLO,15P/24P,2990,1830MM,UL2990,IVORY,D-SUB/DVI(D),DET. TYPE	
BN68-00275D	CIS	MANUAL USERS	LTM2955,LTM4055,SAMSUNG,ADC,E/F/S/P,MIMOJ080G	
BN69-00350B	CIS	BOX-ACCESSORY	AL29N0/A0,CB SW-1,YEL,KSD-21,60,300,230,3 COLOR PRINTING	SNA
BN92-00635P	-	ASSY BOX	LTM295WX/XAA,SEA,UNITED STATES	SNA
AA68-50509A	BOX	LABEL-BOX	A/P 90(G),ALL MODEL,-,WHT,L250	SNA
BN69-00333D	BOX	PACKING-CASE	29A1,D-3 AB,A1,YEL,SEA	SNA

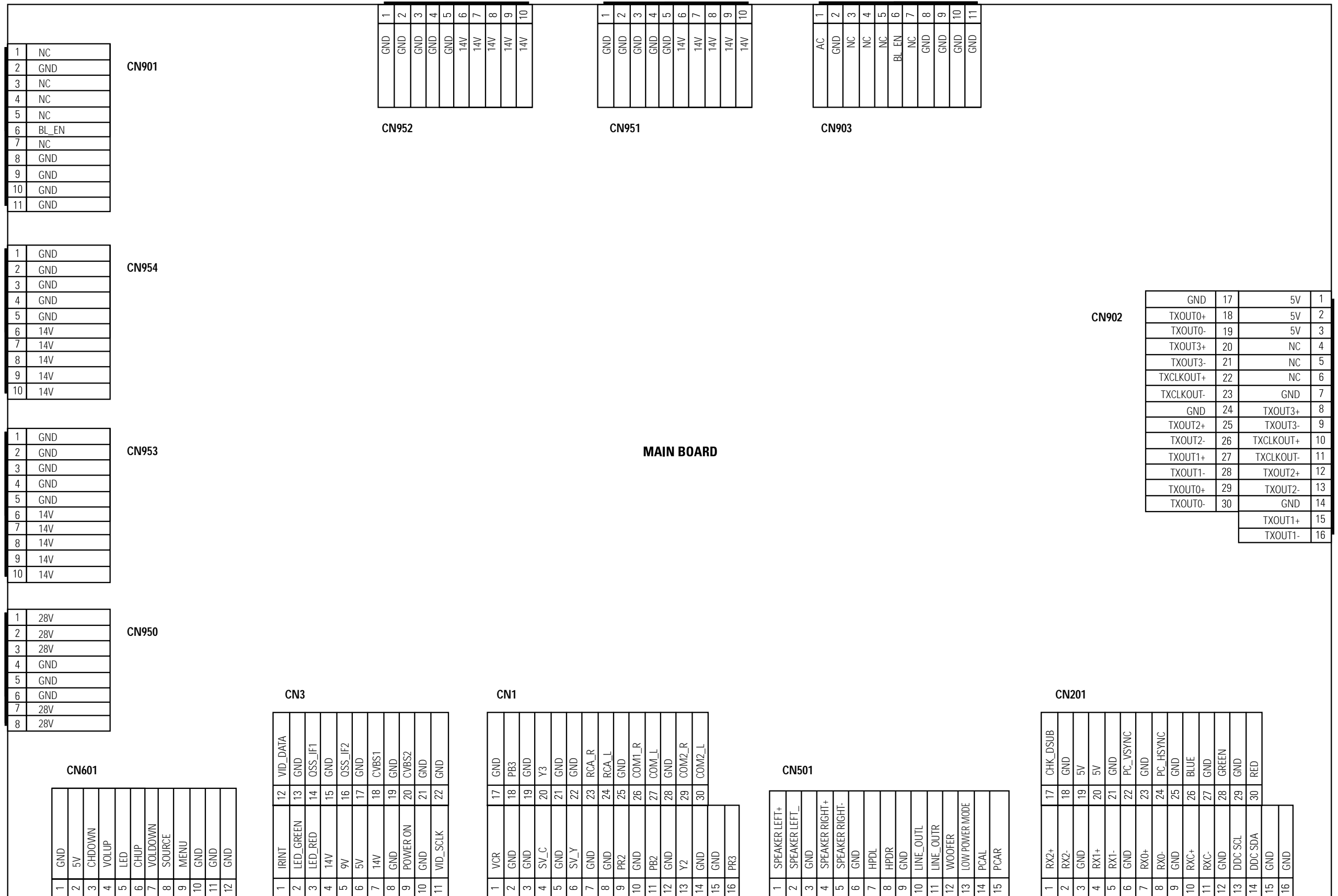


# 8 Block Diagram



**Memo**

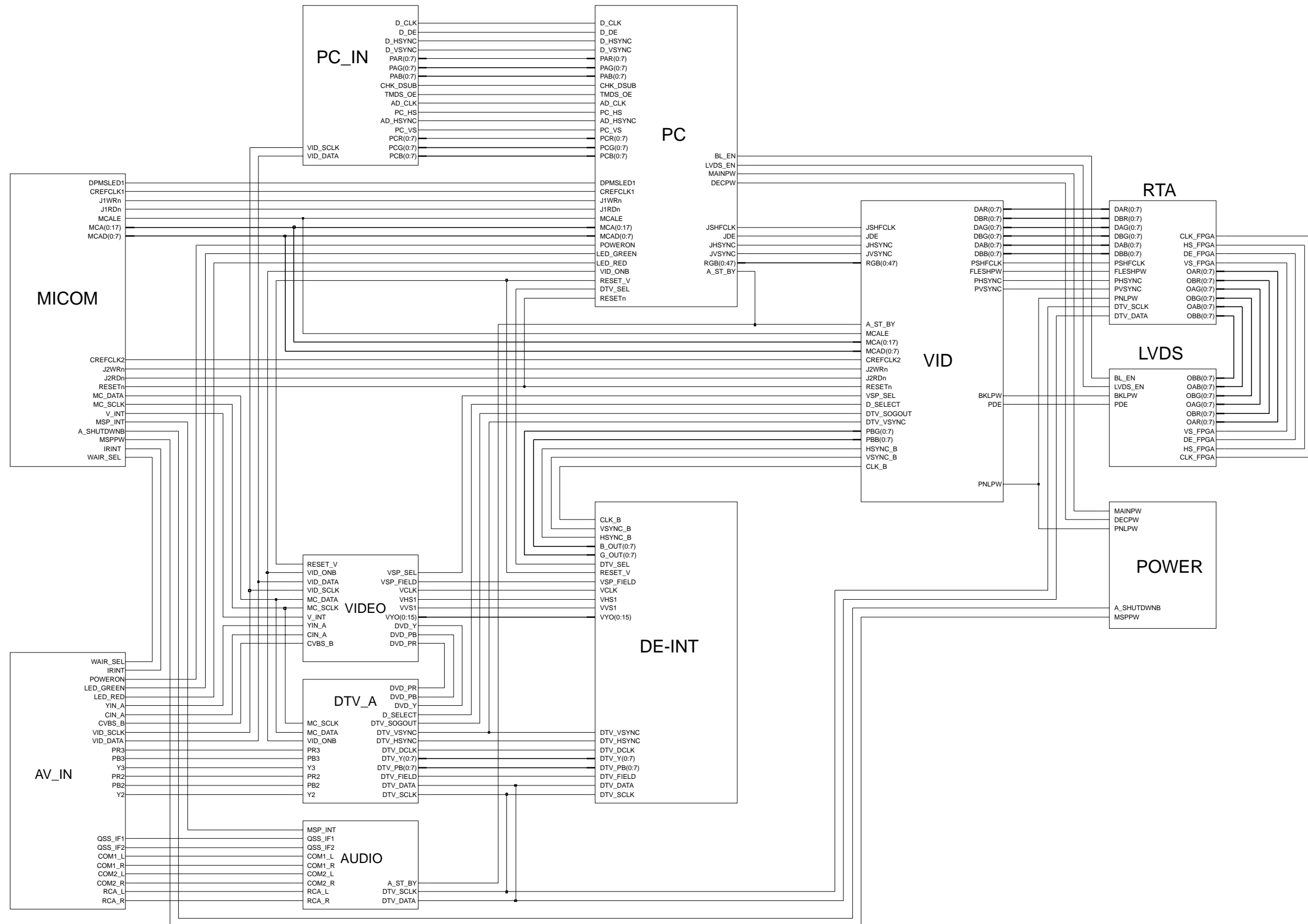
9 Wiring Diagram



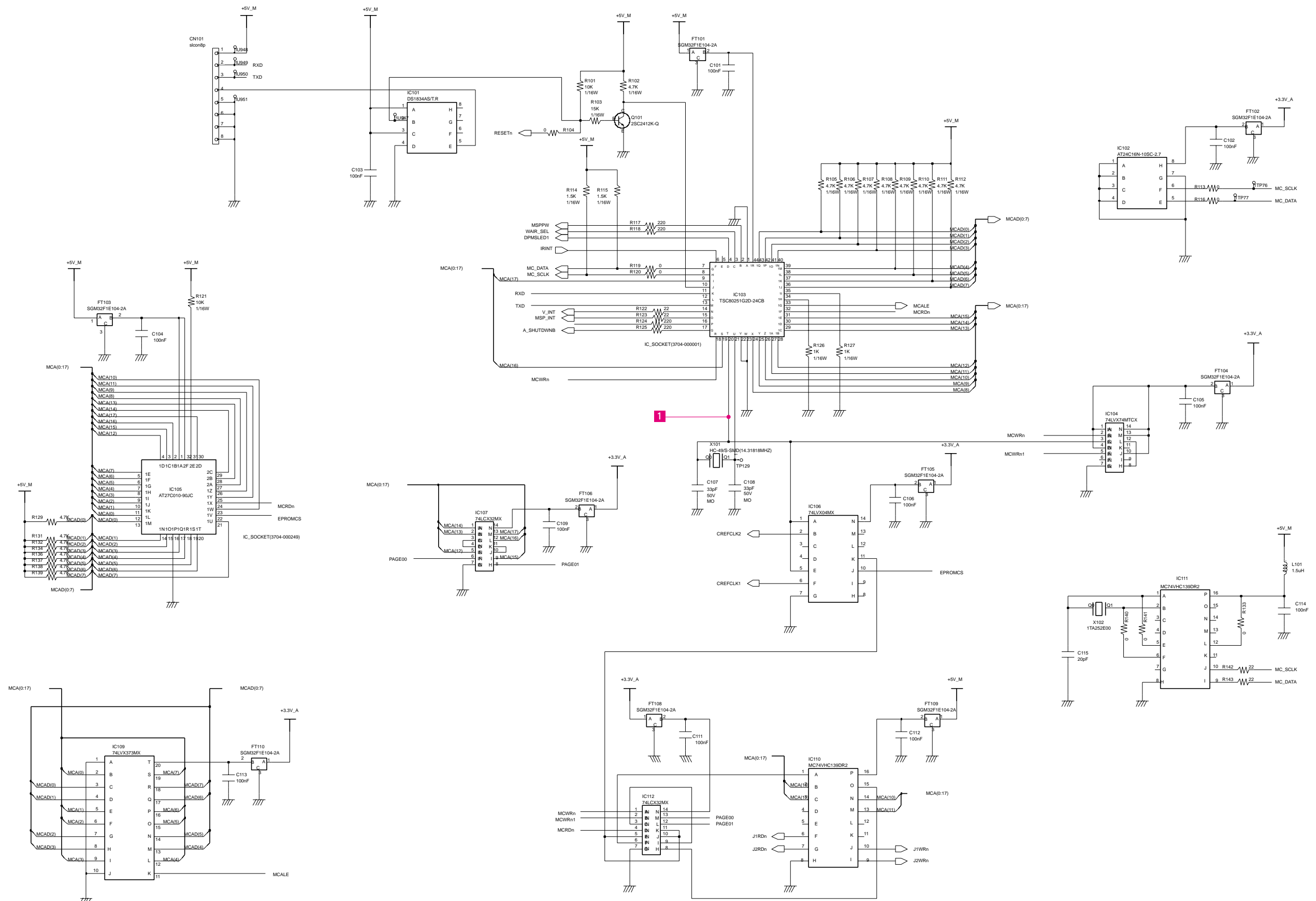
**Memo**

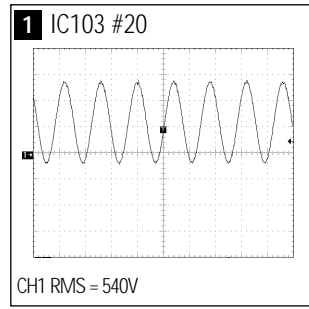
# 10 Schematic Diagrams

## 10-1 Apollo-II\_Top Parts Schematic Diagram



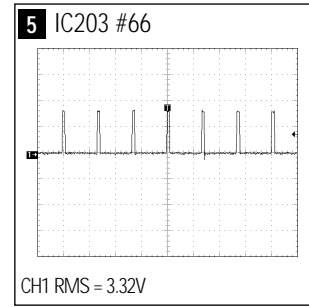
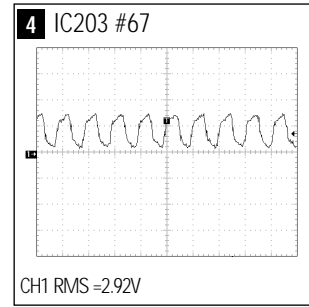
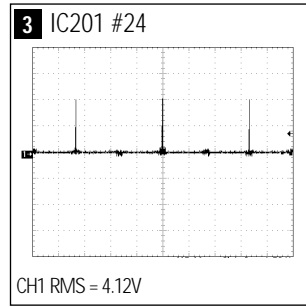
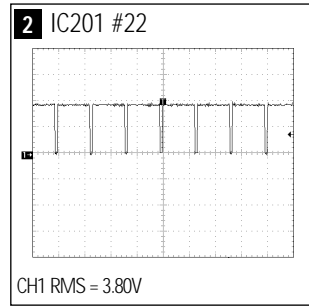
10-2 Micom Parts Schematic Diagram



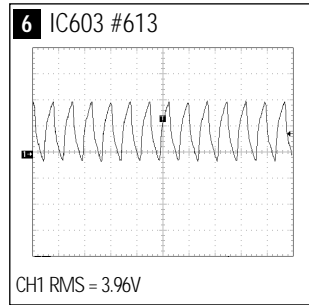




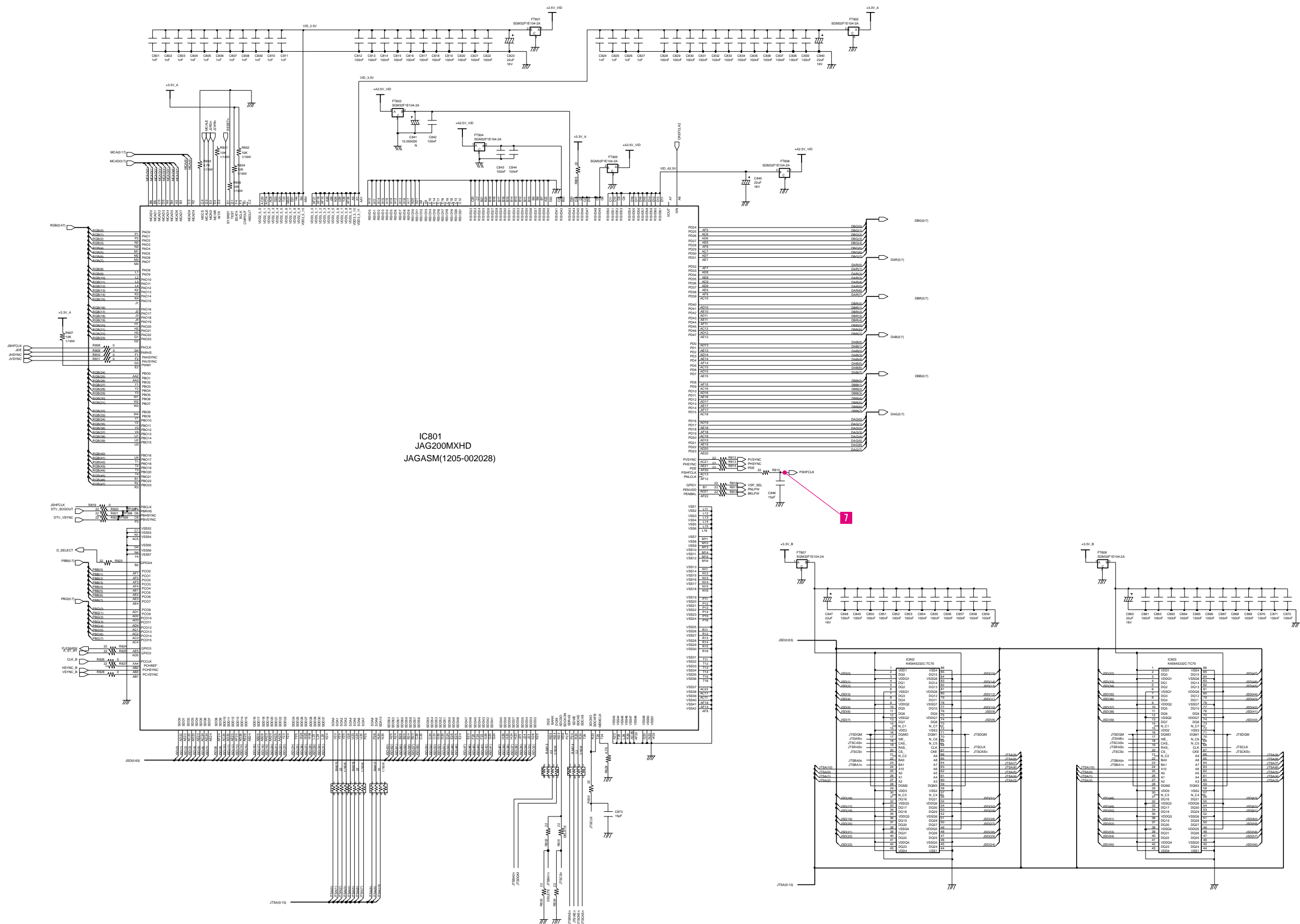


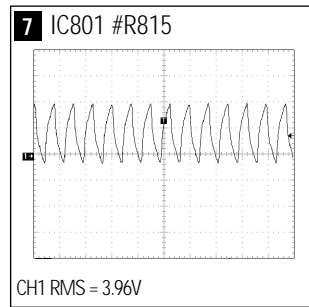




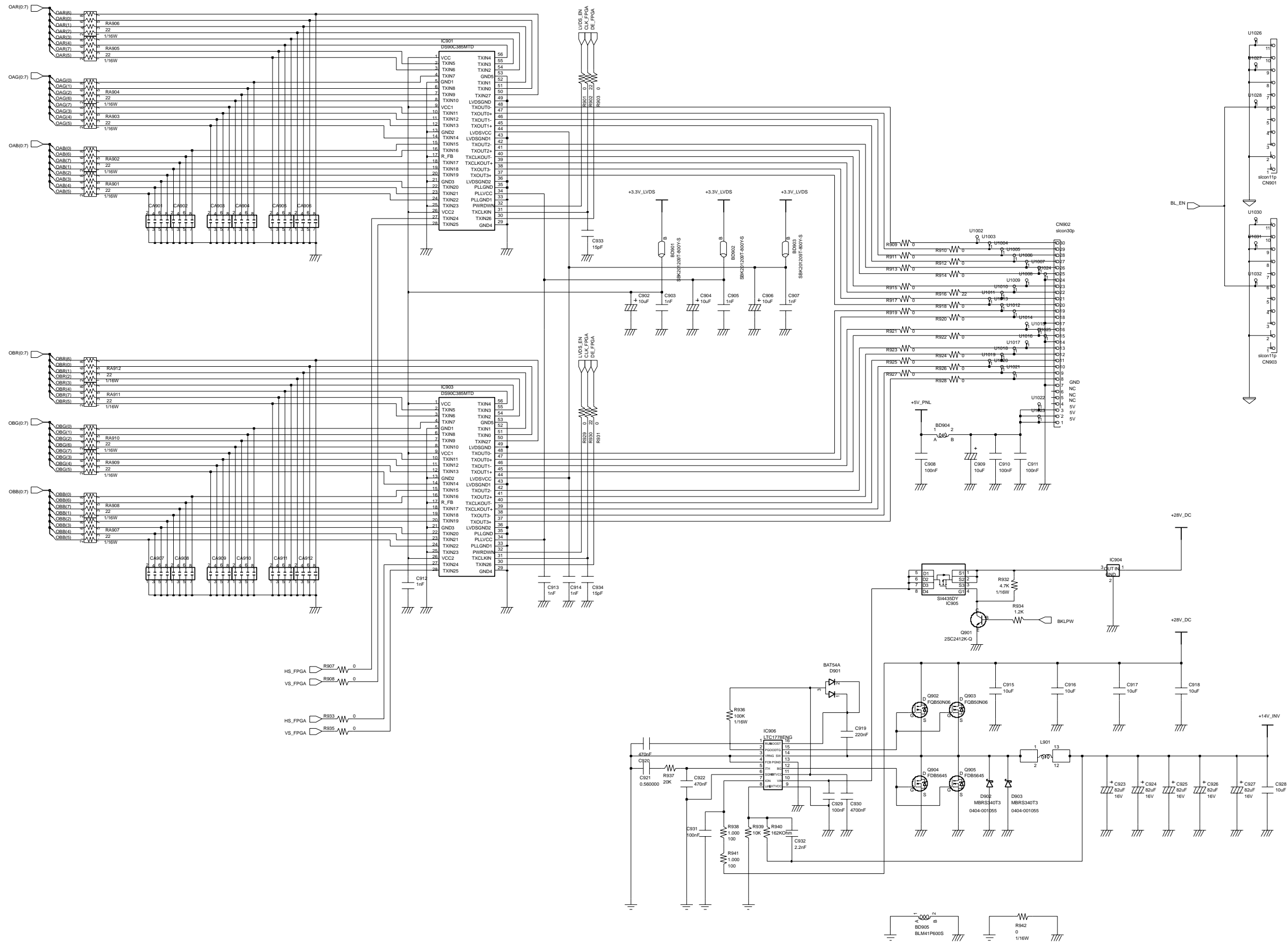


10-5 JAG200ASM\_Video Parts Schematic Diagram



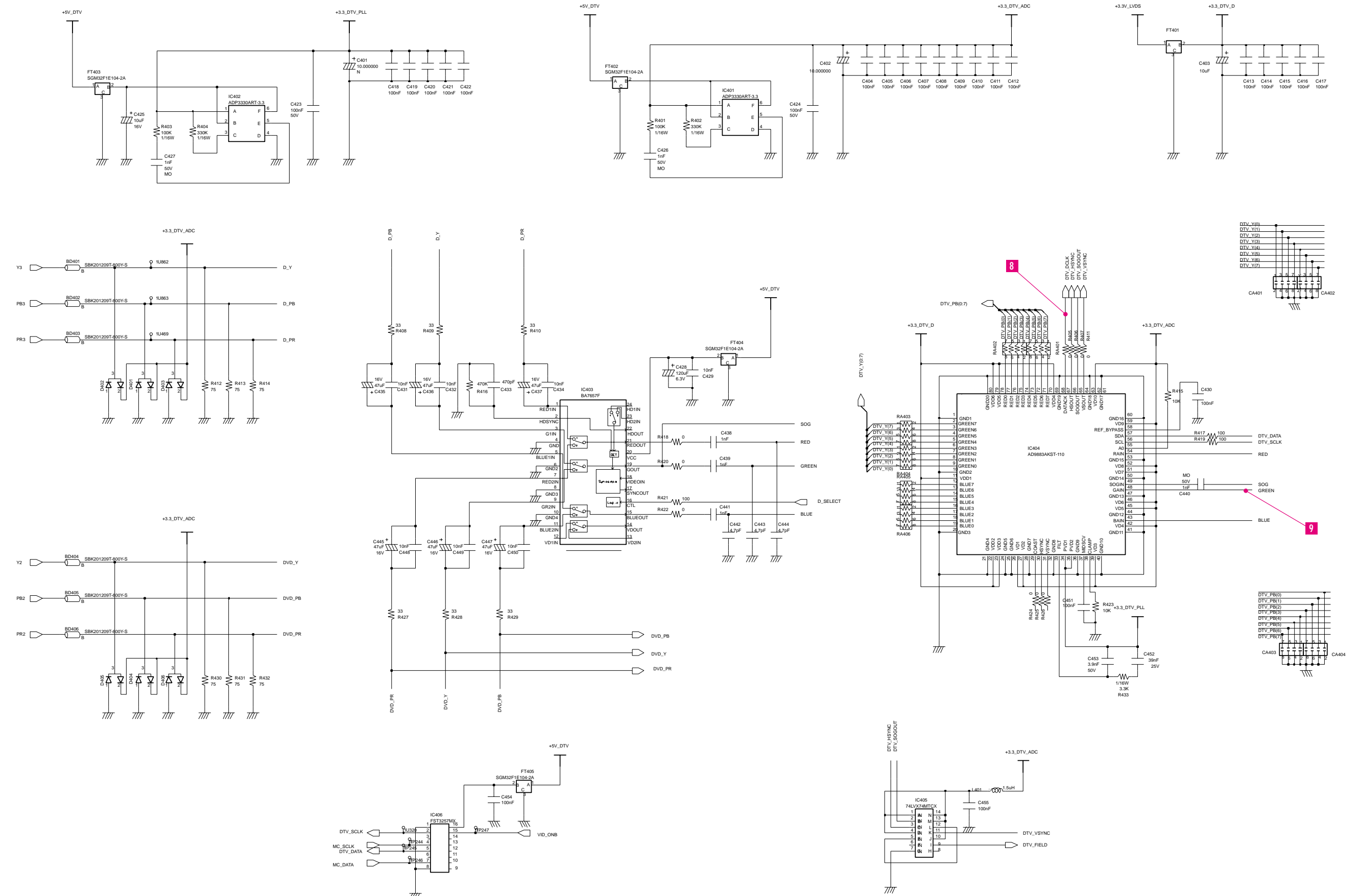


10-6 LVDS Part Schematic Diagram

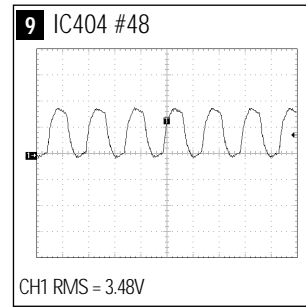
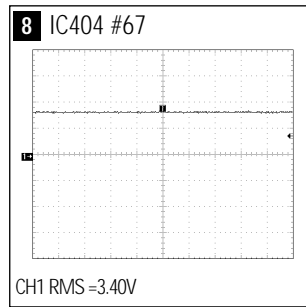




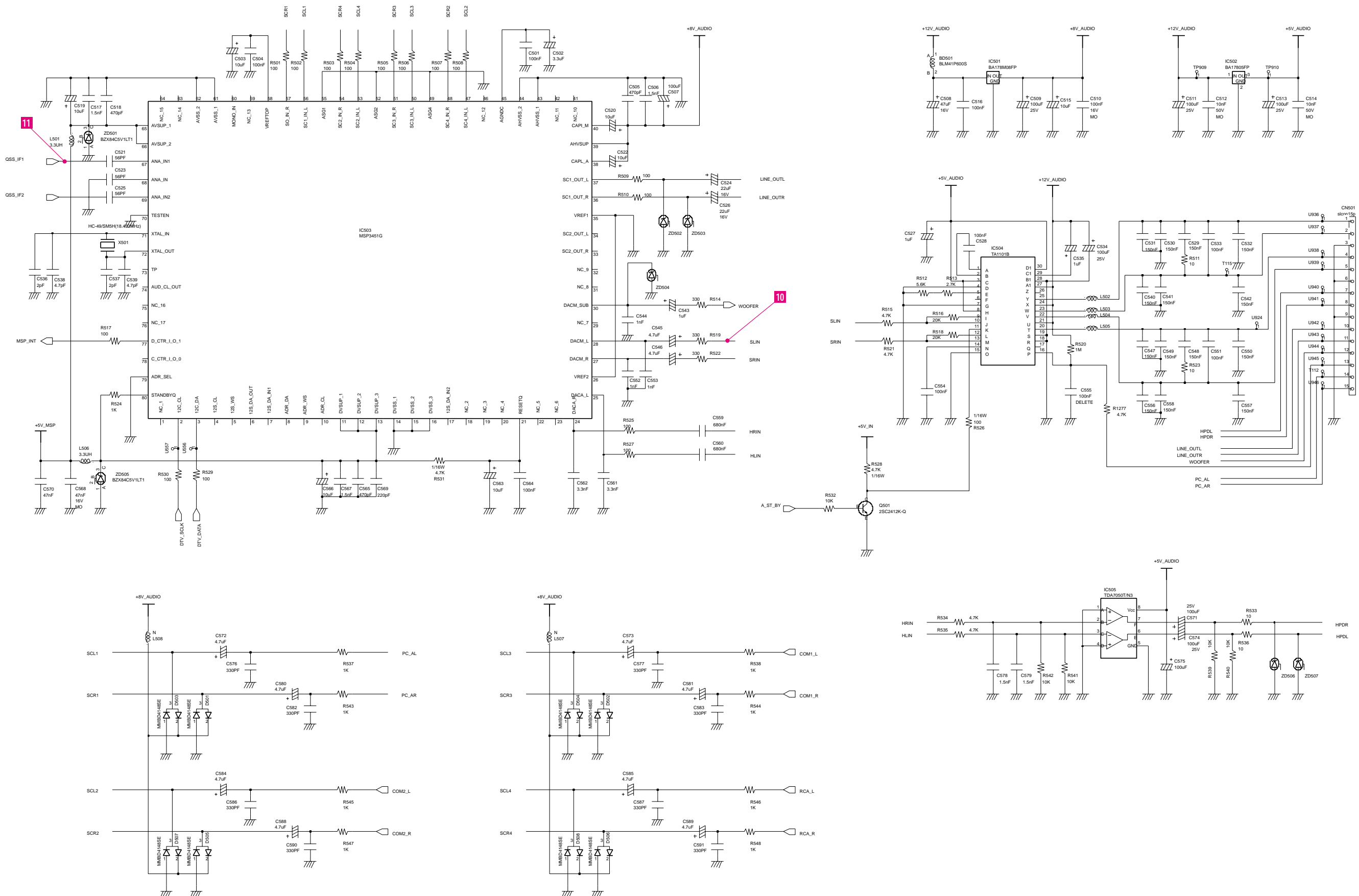
10-8 DTV & DVD Parts Schematic Diagram

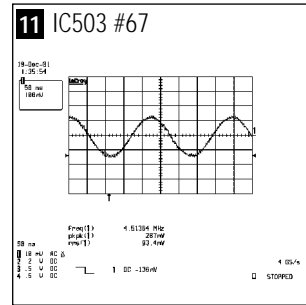
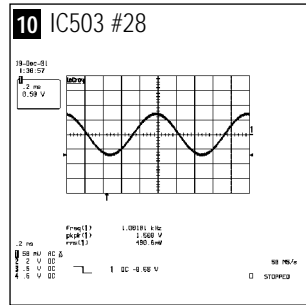




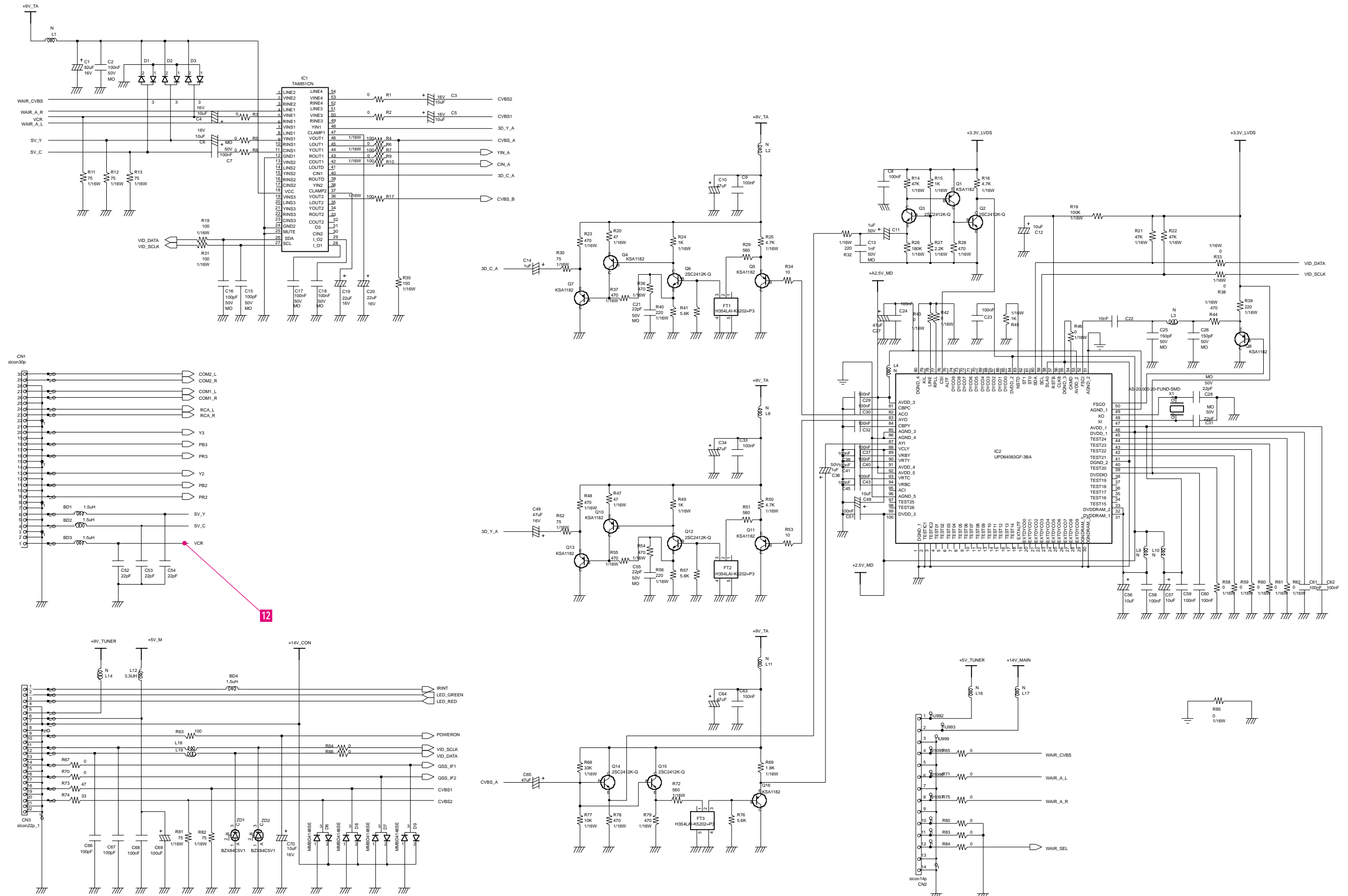


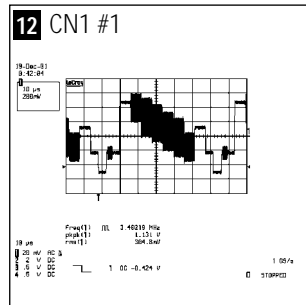
### 10-9 Audio Parts Schematic Diagram



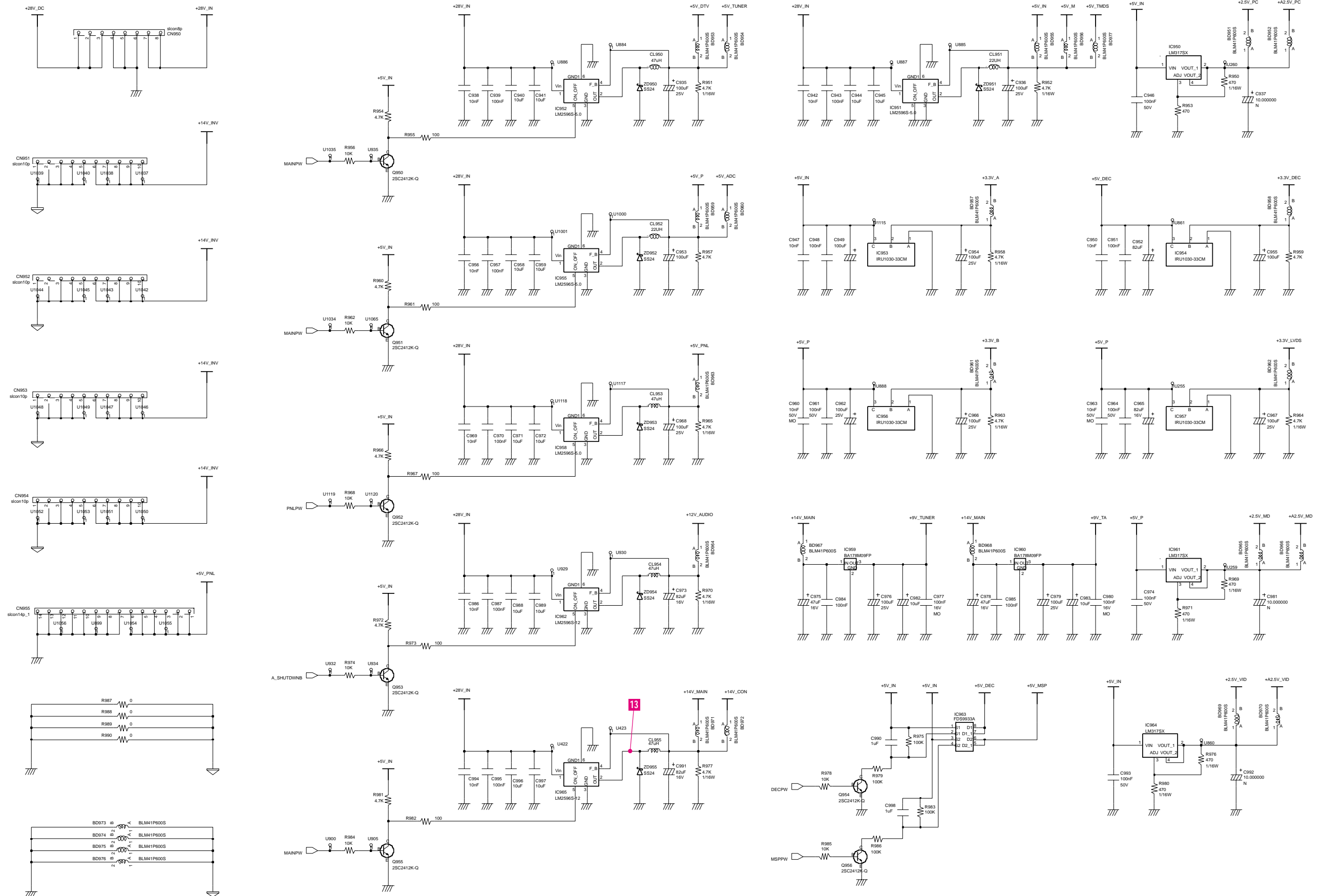


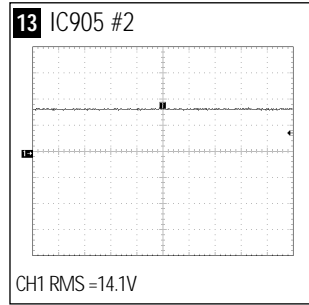
10-10 AV\_IN Parts Schematic Diagram



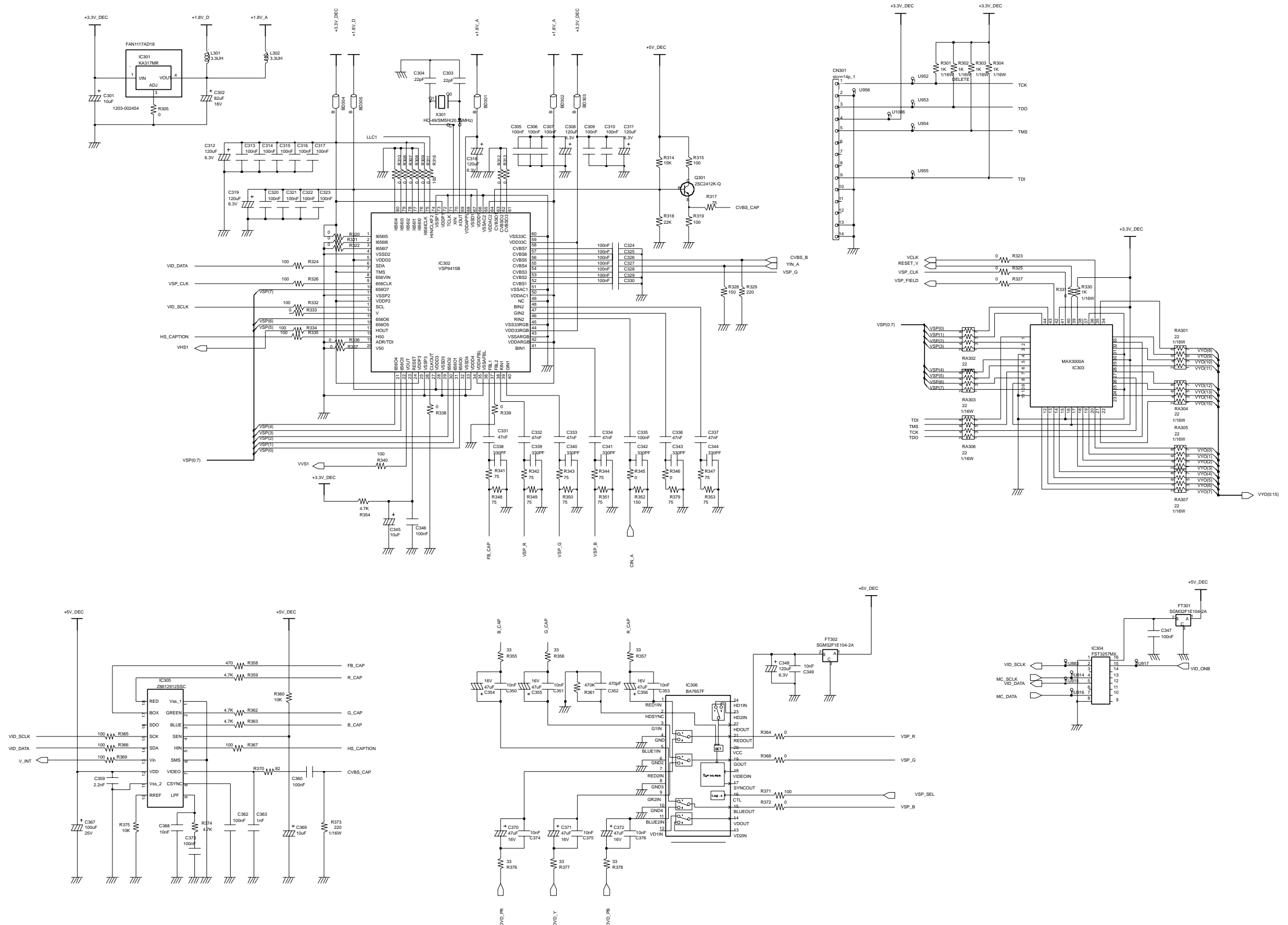


10-11 Power Parts Schematic Diagram





10-12 Video Parts Schematic Diagram







**Samsung Electronics Co.,Ltd.**

416, Maetan-3Dong, Paldal-Gu, Suwon City, Kyungki-Do, Korea.

Printed in Korea

P/N : BN82-00081D-00

<http://www.samsungsupport>